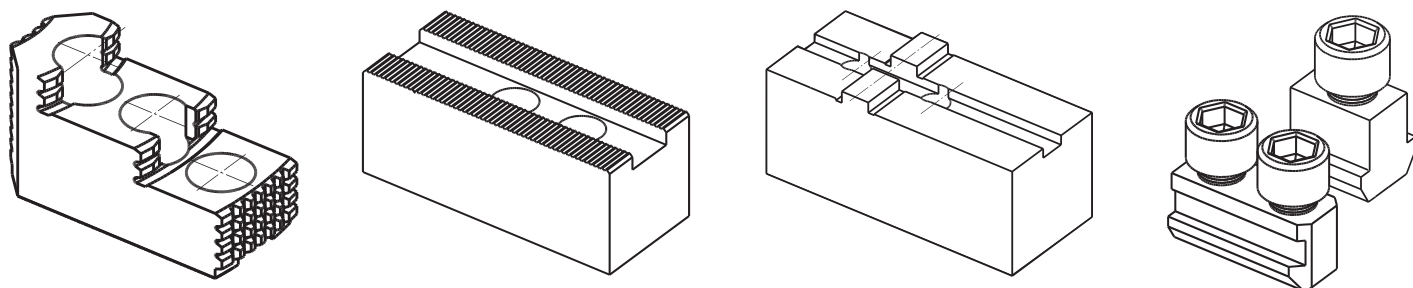


Morsetti duri reversibili, morsetti teneri, tasselli a T

Hard top jaws, soft top jaws, T-nuts



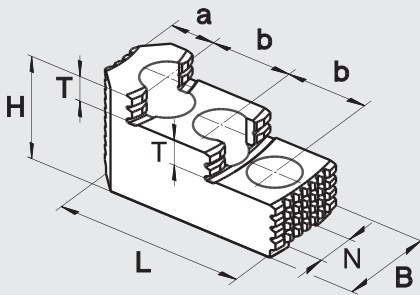
Il modo più semplice di montare i giusti morsetti sul vostro mandrino autocentrante MARIO PINTO

The easy way to mount the right top jaws on your MARIO PINTO chuck

| | Diametro mandrino Chuck diameter | Modelli dei mandrini Chuck series | | | | | Morsetti duri Hard top jaws | | Morsetti teneri Soft top jaws | Tasselli a T T-nuts | |
|--|-------------------------------------|--------------------------------------|----|----|----|----------|--|--|---|--------------------------------|---|
| | | FN | IN | GP | GB | PB | Set 3 morsetti duri No. Set 3 hard top jaws No. | Set 4 morsetti duri No. Set 4 hard top jaws No. | Morsetti teneri (P2) No. Soft top jaws Id. No. | Tipo di tassello T-nut type | Tassello a T (P2) No. T-nuts Id. No. |
| Dentatura in pollici "D" Inch serration "D" | 125 | ● | | | | | 12081306 | 12081308 | 12071300 | 3 | 12061200 |
| | 130 | | | ● | | ● | 12081306 | 12081308 | 12071300 | 2 | 12061300 |
| | 140 | | | | ● | | | | | | |
| | 165 | ● | | ● | | ● | 12081636 | 12081638 | 12071680 | 3 | 73061650 |
| | 175 | | | | ● | | | | | | |
| | 210 | ● | | ● | ● | ● | 12082036 | 12082038 | 12072130 | 3 | 73062150 |
| | 250 | ● | | ● | ● | ● | 12083036 | 12083038 | 12072500 | 3 | 73063050 |
| | 305/315 | ● | | ● | ● | ● | 12083036 | 12083038 | 12073000 | 3 | 73063050 |
| | 400 | | | | | | 12084006 | 12084008 | 12074030 | 1 | 12063000 |
| | 400 | ● | | | | | 12085046 | 12085048 | 12074040 | 1 | 12065020 |
| | 500 | | | | | | 12084546 | 12085048 | 12075050 | 1 | 12065082 |
| | 500 | | ● | | | | | | | | |
| | 610 | | | | | | 12086346 | 12086348 | 12075040 | 1 | 12065002 |
| 630 | | ● | | | | | | | | | |
| 640 | | | | | | | | | | | |
| 800 | | ● | | | | 12086346 | 12086348 | 12075040 | 1 | 12065002 | |
| Dentatura metrica "M" Metric serration "M" | 125 | ● | | | | | 12081307 | 12081309 | 12071301 | 3 | 12061200 |
| | 130 | | | ● | | ● | 12081307 | 12081309 | 12071301 | 2 | 12061300 |
| | 140 | | | | ● | | | | | | |
| | 165 | ● | | ● | | ● | 12081627 | 12081629 | 12071621 | 4 | 73061602 |
| | 175 | | | | ● | | | | | | |
| | 210 | ● | | ● | ● | ● | 12082127 | 12082129 | 12072121 | 4 | 73062101 |
| | 250 | ● | | ● | ● | ● | 12082627 | 12082629 | 12072621 | 4 | 73062501 |
| | 305/315 | ● | | ● | ● | ● | 12083037 | 12083039 | 12073001 | 3 | 73063050 |
| | 400 | | | | | | 12084007 | 12084009 | 12074031 | 1 | 12063000 |
| | 400 | ● | | | | | 12084047 | 12084049 | 12074041 | 1 | 12065020 |
| Incastro a croce "C" Tongue & groove "C" | 165 | ● | | | | ● | - | - | 12041660 | - | - |
| | 210 | ● | | | | ● | - | - | 12042060 | - | - |
| | 250 | ● | | | | ● | - | - | 12042560 | - | - |
| | 305/315 | ● | | | | ● | - | - | 12043060 | - | - |
| | 400 | ● | | | | ● | - | - | 12044050 | - | - |
| | 500 | | ● | | | | | | | | |
| | 630 | | ● | | | | - | - | 12045050 | - | - |
| 800 | | ● | | | | | | | | | |

Morsetti duri reversibili, morsetti teneri, tasselli a T

Hard top jaws, soft top jaws, T-nuts

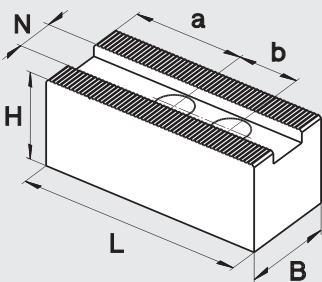


Morsetti duri reversibili con dentatura in POLLICI "D" - Inch serrated hard top jaws "D"

Morsetti di 1ª operazione, se una alta concentricità è richiesta devono essere rettificati sul mandrino
If high concentricity is required, jaws have to be ground on the chuck at clamping pressure

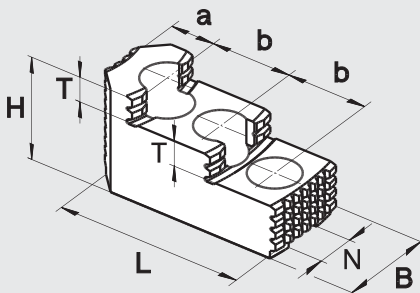
| No. * Id. No. * | Dentatura in pollici Inch serration | B mm | H mm | L mm | N mm | T mm | a mm | b mm | Massa/Mass Kg/cad |
|--------------------|--|---------|---------|---------|---------|---------|---------|---------|----------------------|
| 12081306 | 1/16" x 90° | 30 | 34 | 58 | 12 | 8.5 | 13 | 16 | 0.20 |
| 12081636 | 1/16" x 90° | 34 | 39 | 65 | 14 | 10 | 18 | 16.5 | 0.30 |
| 12082036 | 1/16" x 90° | 40 | 45 | 82 | 17 | 10.5 | 19 | 23 | 0.57 |
| 12082626 | 1/16" x 90° | 45 | 56 | 100 | 17 | 15.5 | 23 | 30 | 0.85 |
| 12083036 | 1/16" x 90° | 45 | 56 | 105 | 21 | 13.5 | 26 | 30 | 0.95 |
| 12084006 | 1/16" x 90° | 55 | 73 | 120 | 21 | 22 | 30 | 34 | 1.70 |
| 12085046 | 3/32" x 90° | 55 | 73 | 145 | 25.5 | 32 | 46 | 38 | 2.20 |
| 12084546 | 3/32" x 90° | 60 | 75 | 140 | 25.5 | 19 | 38 | 38 | 2.50 |
| 12086346 | 3/32" x 90° | 70 | 75 | 145 | 25.5 | 32 | 46 | 38 | 3.00 |

* Il numero si riferisce ad una serie di 3 morsetti, per le serie di 4 morsetti esso non termina per 6 ma per 8
The number refers to a set of 3 jaws, for set of 4 jaws the final number is not 6 but 8



Morsetti teneri con dentatura in POLLICI "D" - Inch serrated soft blank top jaws "D"

| No. * Id. No. * | Dentatura in pollici Inch serration | B mm | H mm | L mm | N mm | a mm | b mm | Massa/Mass Kg/cad |
|--------------------|--|---------|---------|---------|---------|---------|---------|----------------------|
| 12071300 | 1/16" x 90° | 30 | 30 | 60 | 12 | 29 | 16 | 0.30 |
| 12071680 | 1/16" x 90° | 30 | 35 | 70 | 14 | 38 | 16.5 | 0.42 |
| 12072130 | 1/16" x 90° | 35 | 40 | 90 | 17 | 47 | 23 | 0.85 |
| 12072500 | 1/16" x 90° | 45 | 45 | 110 | 21 | 60 | 30 | 1.25 |
| 12073000 | 1/16" x 90° | 50 | 50 | 125 | 21 | 73 | 30 | 1.85 |
| 12074030 | 1/16" x 90° | 60 | 60 | 140 | 21 | 81 | 34 | 3.20 |
| 12074040 | 3/32" x 90° | 60 | 60 | 140 | 25.5 | 75 | 38 | 3.20 |
| 12075050 | 3/32" x 90° | 60 | 60 | 170 | 25.5 | 105 | 38 | 3.60 |
| 12075040 | 3/32" x 90° | 75 | 75 | 160 | 25.5 | 97 | 38 | 5.50 |

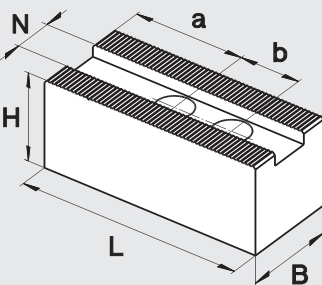


Morsetti duri reversibili con dentatura METRICA "M" - Metric serrated hard top jaws "M"

Morsetti di 1ª operazione, se una alta concentricità è richiesta devono essere rettificati sul mandrino
If high concentricity is required, jaws have to be ground on the chuck at clamping pressure

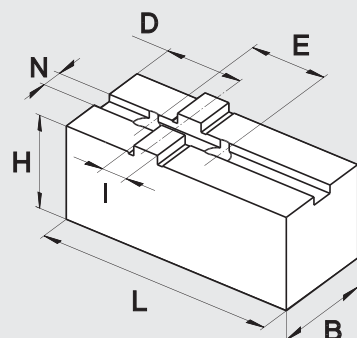
| No. * Id. No. * | Dentatura in mm serration mm | B mm | H mm | L mm | N mm | T mm | a mm | b mm | Massa/Mass Kg/cad |
|--------------------|---------------------------------|---------|---------|---------|---------|---------|---------|---------|----------------------|
| 12081307 | 1.5 x 60° | 30 | 34 | 58 | 12 | 8.5 | 13 | 16 | 0.20 |
| 12081627 | 1.5 x 60° | 34 | 39 | 67 | 12 | 10 | 14 | 20 | 0.31 |
| 12082127 | 1.5 x 60° | 40 | 45 | 86 | 14 | 10.5 | 19 | 25 | 0.60 |
| 12082627 | 1.5 x 60° | 45 | 56 | 100 | 16 | 15.5 | 23 | 30 | 0.85 |
| 12083037 | 1.5 x 60° | 45 | 56 | 105 | 21 | 13.5 | 26 | 30 | 0.95 |
| 12084007 | 1.5 x 60° | 55 | 73 | 120 | 21 | 22 | 30 | 34 | 1.70 |
| 12084047 | 1.5 x 60° | 55 | 73 | 145 | 25.5 | 32 | 46 | 38 | 2.20 |

* Il numero si riferisce ad una serie di 3 morsetti, per le serie di 4 morsetti esso non termina per 6 ma per 8
The number refers to a set of 3 jaws, for set of 4 jaws the final number is not 6 but 8



Morsetti teneri con dentatura METRICA "M" - Metric serrated soft blank top jaws "M"

| No. * Id. No. * | Dentatura in mm Serration mm | B mm | H mm | L mm | N mm | a mm | b mm | Massa/Mass Kg/cad |
|--------------------|---------------------------------|---------|---------|---------|---------|---------|---------|----------------------|
| 12071301 | 1.5 x 60° | 30 | 30 | 60 | 12 | 29 | 16 | 0.30 |
| 12071621 | 1.5 x 60° | 30 | 35 | 70 | 12 | 34 | 20 | 0.42 |
| 12072121 | 1.5 x 60° | 35 | 40 | 90 | 14 | 47 | 25 | 0.85 |
| 12072621 | 1.5 x 60° | 45 | 45 | 110 | 16 | 60 | 30 | 1.30 |
| 12073001 | 1.5 x 60° | 50 | 50 | 125 | 21 | 73 | 30 | 1.85 |
| 12074031 | 1.5 x 60° | 60 | 60 | 140 | 21 | 81 | 34 | 3.20 |
| 12074041 | 1.5 x 60° | 60 | 60 | 140 | 25.5 | 75 | 38 | 3.20 |



Morsetti teneri con incastro a croce "C" - Tongue & groove soft blank top jaws "C"

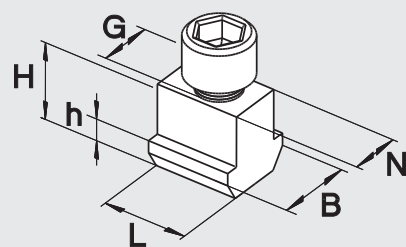
Incastro a croce tipo "American Standard"
"American Standard" tongue & groove

| No. * Id. No. * | B mm | H mm | L mm | N mm | D mm | E mm | I mm | Massa/Mass Kg/cad |
|--------------------|---------|---------|---------|---------|---------|---------|---------|----------------------|
| 12041660 | 30 | 35 | 80 | 7.94 | 30 | 38.1 | 12.68 | 0.58 |
| 12042060 | 40 | 40 | 100 | 7.94 | 35 | 44.4 | 12.68 | 0.92 |
| 12042560 | 50 | 50 | 120 | 12.70 | 42 | 54 | 19.03 | 1.25 |
| 12043060 | 50 | 50 | 140 | 12.70 | 50 | 63.5 | 19.03 | 2.15 |
| 12044050 | 60 | 60 | 165 | 12.70 | 60 | 76.2 | 19.03 | 3.60 |
| 12045050 | 75 | 75 | 165 | 12.70 | 60 | 76.2 | 19.03 | 5.50 |

Tasselli a T T-nuts

NST

Tipo 1
Type 1



Tasselli a T semplice tipo NST - Single T-nut NST

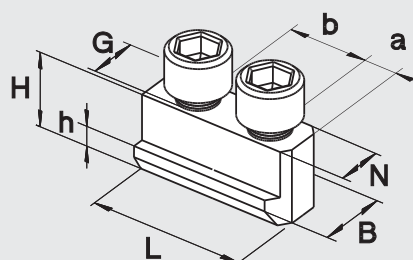
Tipo 1 (vedere la tabella a pag. 126)
Type 1 (see table at page 126)

| No. Id. No. | B mm | H mm | L mm | N mm | G mm | h mm |
|-------------|------|------|------|-------|------|------|
| 12065020 | 35 | 34 | 30 | 25.5 | M20 | 15 |
| 12063000 | 29 | 25 | 24 | 21 | M16 | 11 |
| 12065082 | 36 | 34 | 30 | 25.5* | M20 | 15 |
| 12065002 | 40 | 40 | 32 | 25.5* | M20 | 15.5 |

* 25.5 mm di guida nel morsetto e 28 mm di guida nella griffa base
25.5 mm guide in the top jaw and 28 mm guide in the master jaw

NSTE

Tipo 2
Type 2



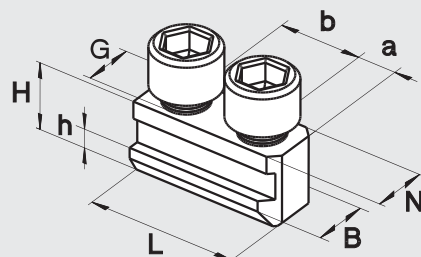
Tasselli a T doppio tipo NSTE - Double T-nut NSTE

Tipo 2 (vedere la tabella a pag. 126)
Type 2 (see table at page 126)

| No. Id. No. | B mm | H mm | L mm | N mm | G mm | a mm | b mm | h mm |
|-------------|------|------|------|------|------|------|------|------|
| 12061300 | 17 | 15 | 30 | 12 | M8 | 7 | 16 | 6.50 |

NSTE

Tipo 3
Type 3



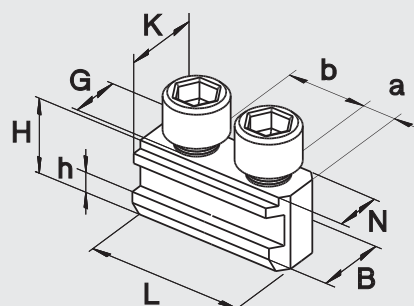
Tasselli a T doppio tipo NSTE - Double T-nut NSTE

Tipo 3 (vedere la tabella a pag. 126) - per mandrini con dentatura in pollici
Type 3 (see table at page 126) - for chucks with inch serration

| No. Id. No. | B mm | H mm | L mm | N mm | G mm | a mm | b mm | h mm |
|-------------|------|------|------|------|------|------|------|------|
| 12061200 | 15 | 15 | 32 | 12 | M8 | 6.5 | 16 | 6.5 |
| 73061650 | 17 | 18.5 | 32 | 14 | M10 | 8 | 16.5 | 6.5 |
| 73062150 | 19 | 20.5 | 43 | 17 | M12 | 10 | 23 | 7.5 |
| 73063050 | 25 | 26.5 | 56 | 21 | M16 | 13 | 30 | 10 |

NSTE-M

Tipo 4
Type 4



Tasselli a T doppio tipo NSTE-M - Double T-nut NSTE-M

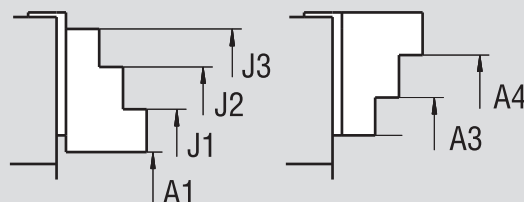
Tipo 4 (vedere la tabella a pag. 126) - per mandrini con dentatura metrica compatibili con i morsetti dei mandrini giapponesi
Type 4 (see table at page 126) - for metric master jaws to use existing Kitagawa top jaws

| No. Id. No. | B mm | H mm | L mm | N mm | K mm | G mm | a mm | b mm | h mm |
|-------------|------|------|------|------|------|------|------|------|------|
| 73061602 | 17 | 18.5 | 36 | 12 | 14 | M10 | 8 | 20 | 6.5 |
| 73062101 | 19 | 20.5 | 45 | 14 | 17 | M12 | 10 | 25 | 7.5 |
| 73062501 | 25 | 26.5 | 56 | 16 | 21 | M12 | 13 | 30 | 10 |

Campi di presa con morsetti duri reversibili standard

Clamping ranges with standard stepped hard top jaws

mandrini autocentranti automatici standard Ø 125-800 mm
standard power chucks Ø 125-800 mm



| Diametro Chuck dia. | Modelli di mandrino Chuck type | Mors. duri/Top jaws Id. No. | | A1 mm | A2 mm | A3 mm | A4 mm | J1 mm | J2 mm | J3 mm |
|------------------------|-----------------------------------|-----------------------------|-----------------|----------|----------|----------|----------|----------|----------|----------|
| | | Denti/Serr. "D" | Denti/Serr. "M" | | | | | | | |
| 125 | FN-D | 12081306 | 12081307 | 10-54 | - | 54-92 | 90-120 | 56-100 | 90-135 | 125-170 |
| 165 | FN-D | 12081636 | 12081627 | 14-80 | - | 62-125 | 110-155 | 65-125 | 115-175 | 145-210 |
| 210 | FN-D | 12082036 | 12082127 | 20-100 | - | 72-150 | 150-200 | 75-150 | 145-230 | 190-265 |
| 250 | FN-D | 12083036 | 12082627 | 20-115 | - | 105-205 | 190-235 | 80-165 | 155-250 | 230-325 |
| 315 | FN-D | 12083036 | 12083037 | 30-170 | - | 120-265 | 205-300 | 95-225 | 165-310 | 240-380 |
| 400 | FN-D | 12085046 | 12084047 | 40-190 | 85-235 | - | 270-380 | 150-300 | - | 330-480 |
| 500 | IN-D | 12086346 | - | 80-320 | 125-365 | - | 320-475 | 180-420 | - | 370-610 |
| 630 | IN-D | 12086346 | - | 80-440 | 125-485 | - | 320-600 | 180-540 | - | 370-730 |
| 800 | IN-D | 12086346 | - | 80-610 | 125-655 | - | 320-760 | 180-710 | - | 370-900 |
| 130 | GP-D, GP-M | 12081306 | 12081307 | 10-58 | - | 55-97 | 90-120 | 58-105 | 90-140 | 125-175 |
| 140 | GB-D, GB-M | 12081306 | 12081307 | 16-65 | - | 55-105 | 90-130 | 65-110 | 98-148 | 132-182 |
| 165 | GP-D, GP-M | 12081636 | 12081627 | 12-80 | - | 62-125 | 110-155 | 62-125 | 105-170 | 145-210 |
| 175 | GB-D, GB-M | 12081636 | 12081627 | 25-92 | - | 74-138 | 120-165 | 74-138 | 118-185 | 155-220 |
| 210 | GP-D, GP-M | 12082036 | 12082127 | 14-100 | - | 65-150 | 140-200 | 65-150 | 135-230 | 180-265 |
| 210 | GB-D, GB-M | 12082036 | 12082127 | 25-100 | - | 80-150 | 155-200 | 80-150 | 150-230 | 195-265 |
| 250 | GP-D, GP-M | 12083036 | 12083037 | 20-115 | - | 105-205 | 190-235 | 80-165 | 155-250 | 230-325 |
| 250 | GB-D, GB-M | 12083036 | 12083037 | 25-115 | - | 115-205 | 200-235 | 85-165 | 165-250 | 240-325 |
| 315 | GP-D, GP-M | 12083036 | 12083037 | 40-170 | - | 135-265 | 220-300 | 100-225 | 180-310 | 250-380 |
| 315 | GB-D, GB-M | 12083036 | 12083037 | 75-170 | - | 165-265 | 250-300 | 130-225 | 210-310 | 320-415 |
| 400 | GHD, GHM | 12084006 | 12084007 | 90-250 | - | 195-355 | 285-380 | 155-315 | 240-400 | 330-490 |