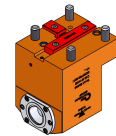
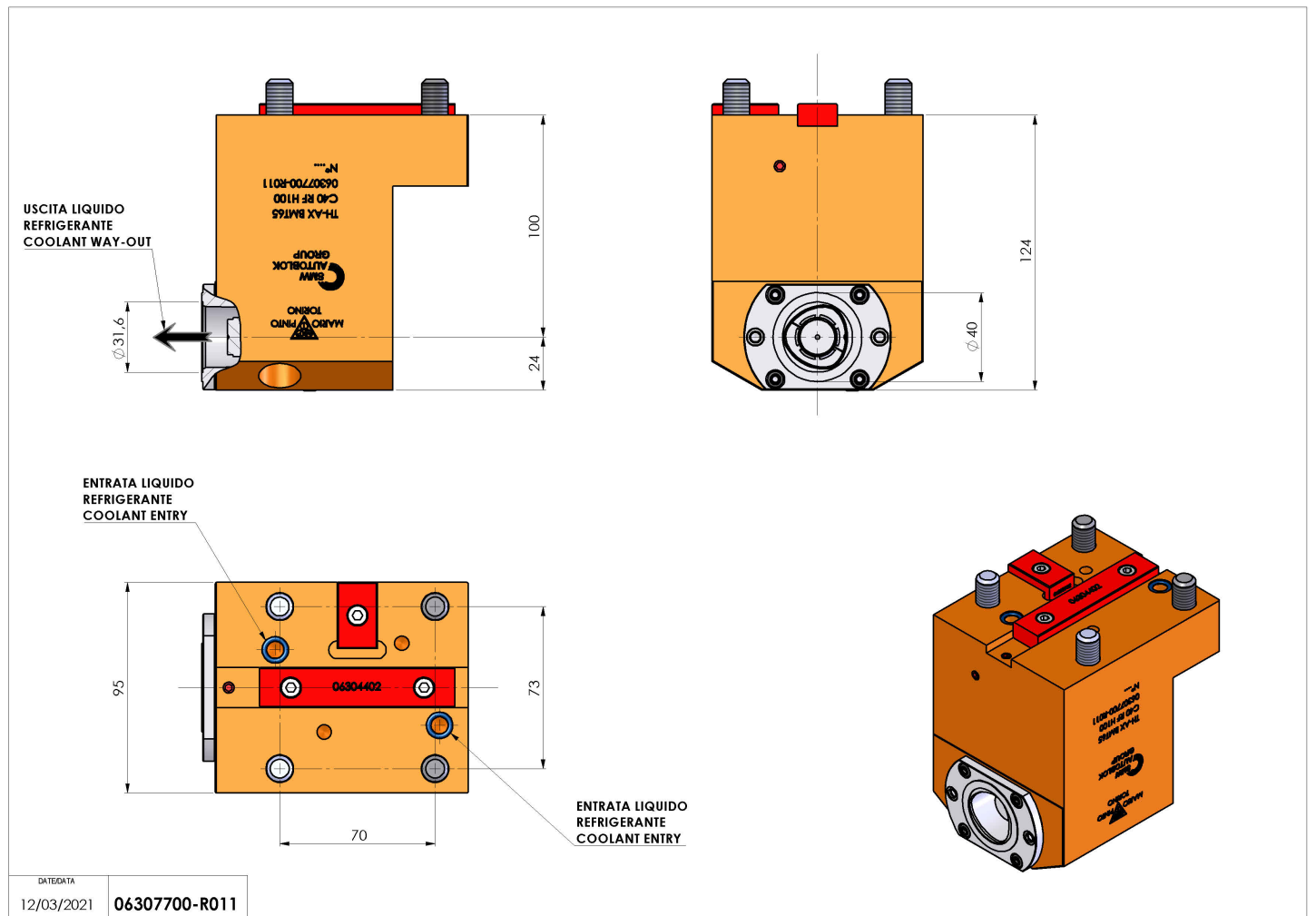


06307700 - TH-AX BMT65 C40 RF H100

| | |
|---------------|--|
| Type | TH-AX Axial Tool holder |
| Mounting | BMT 65 |
| Tool output | Polygonal shank C40 ISO 26623-1 |
| Coolant | Internal coolant |
| H [mm] | 100 |
| Accessories | N.A. |
| Notes | N.A. |
| Mounting tips | Not suitable for every application, please check |



Always check live tool dimensions on the turret



Subject to technical changes