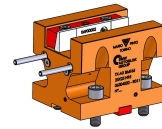
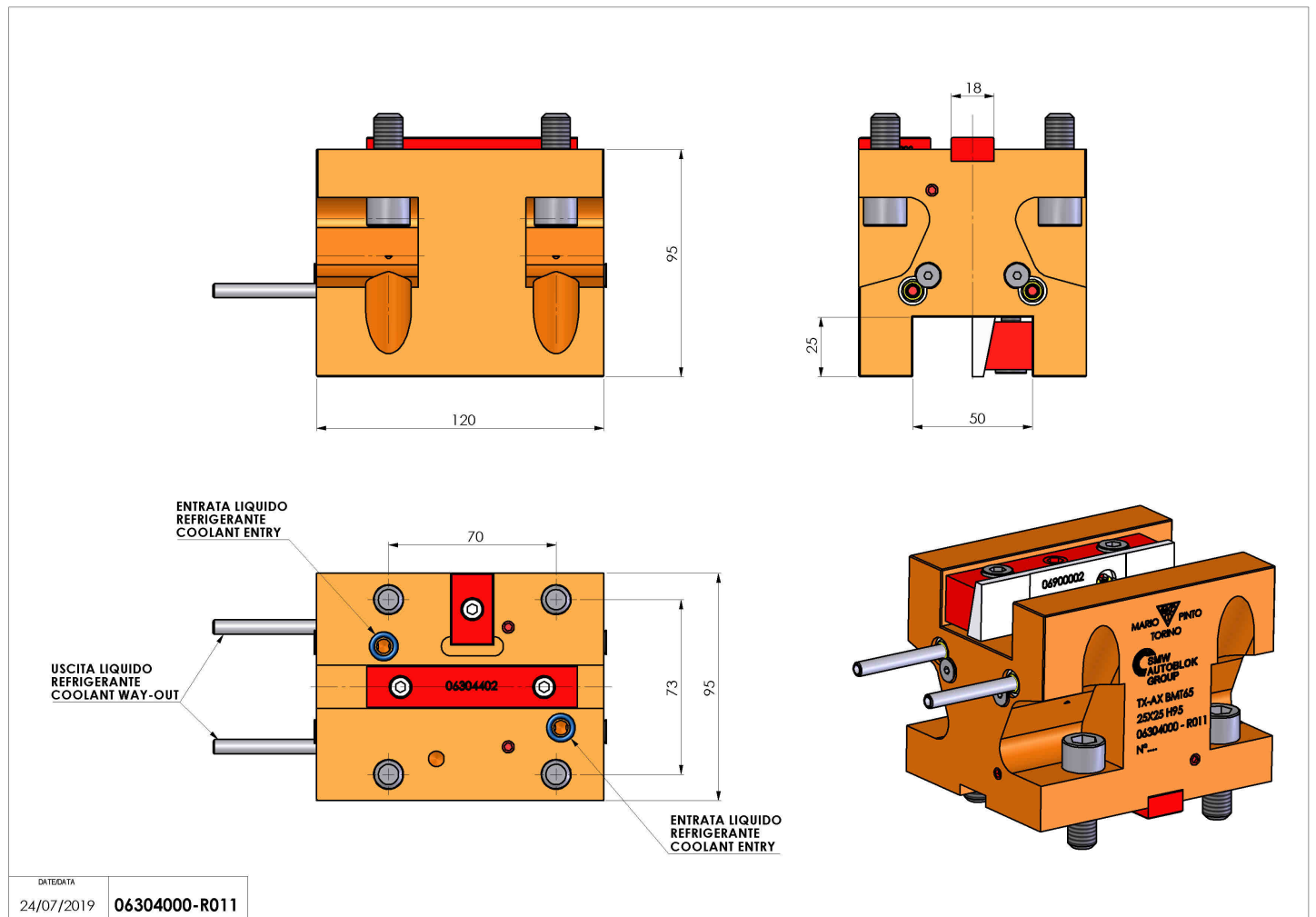


06304000 - TH-AX BMT65 25X25 H95

Type	TH-AX Axial Tool holder
Mounting	BMT 65
Tool output	Axial Square Tool Holder 25x25
Coolant	External coolant
H [mm]	95
Accessories	N.A.
Notes	N.A.
Mounting tips	Not suitable for every application, please check



Always check live tool dimensions on the turret



Subject to technical changes