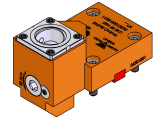
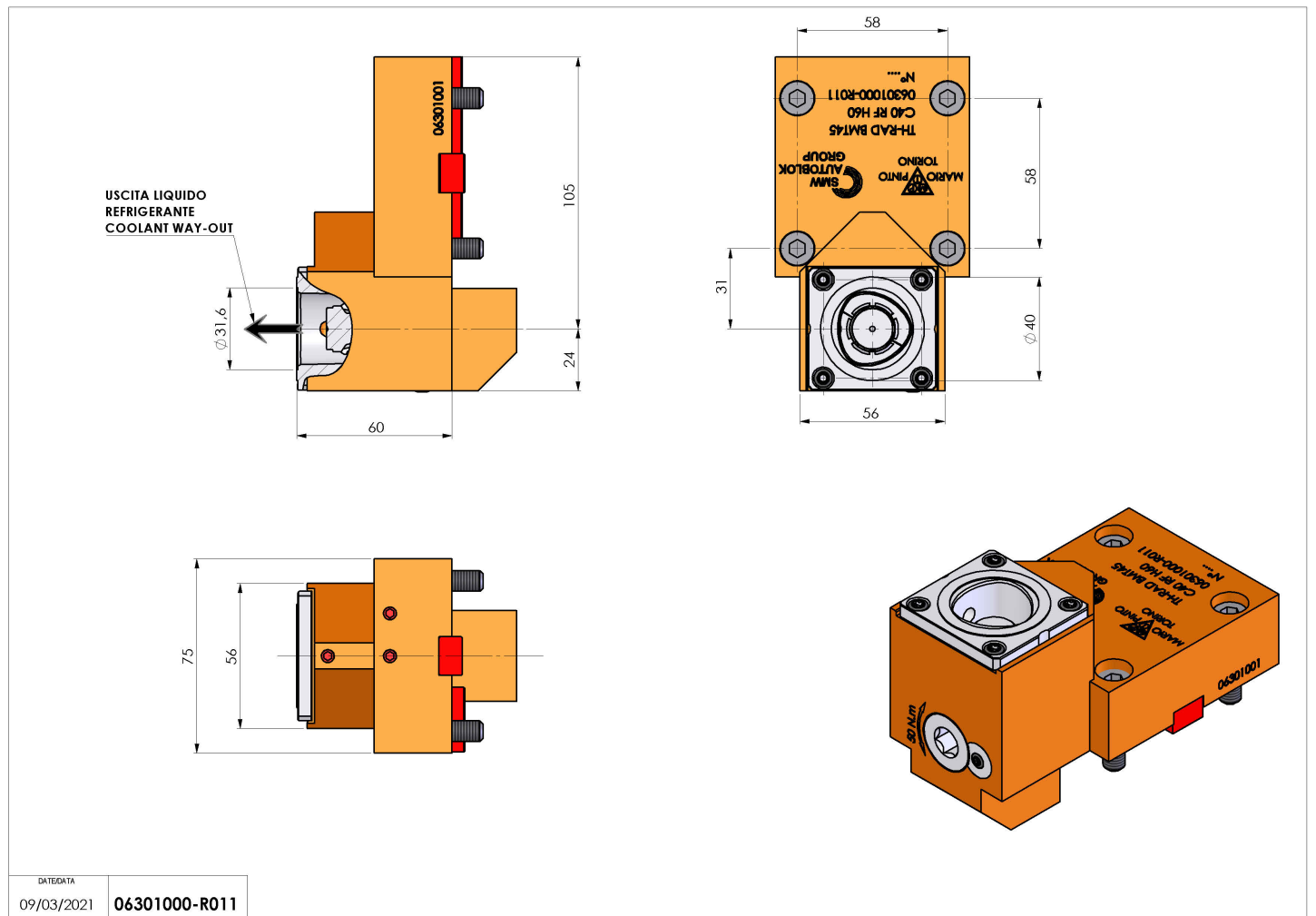


## 06301000 - TH-RAD BMT45 C40 RF H52

<b>Type</b>	TH-RAD Radial Tool holder
<b>Mounting</b>	BMT 45
<b>Tool output</b>	Polygonal shank C40 ISO 26623-1
<b>Coolant</b>	Internal coolant
<b>H [mm]</b>	60
<b>Accessories</b>	N.A.
<b>Notes</b>	N.A.
<b>Mounting tips</b>	Not suitable for every application, please check



Always check live tool dimensions on the turret



DATE/DATE	09/03/2021
	06301000-R011

Subject to technical changes