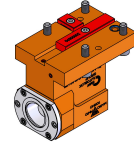
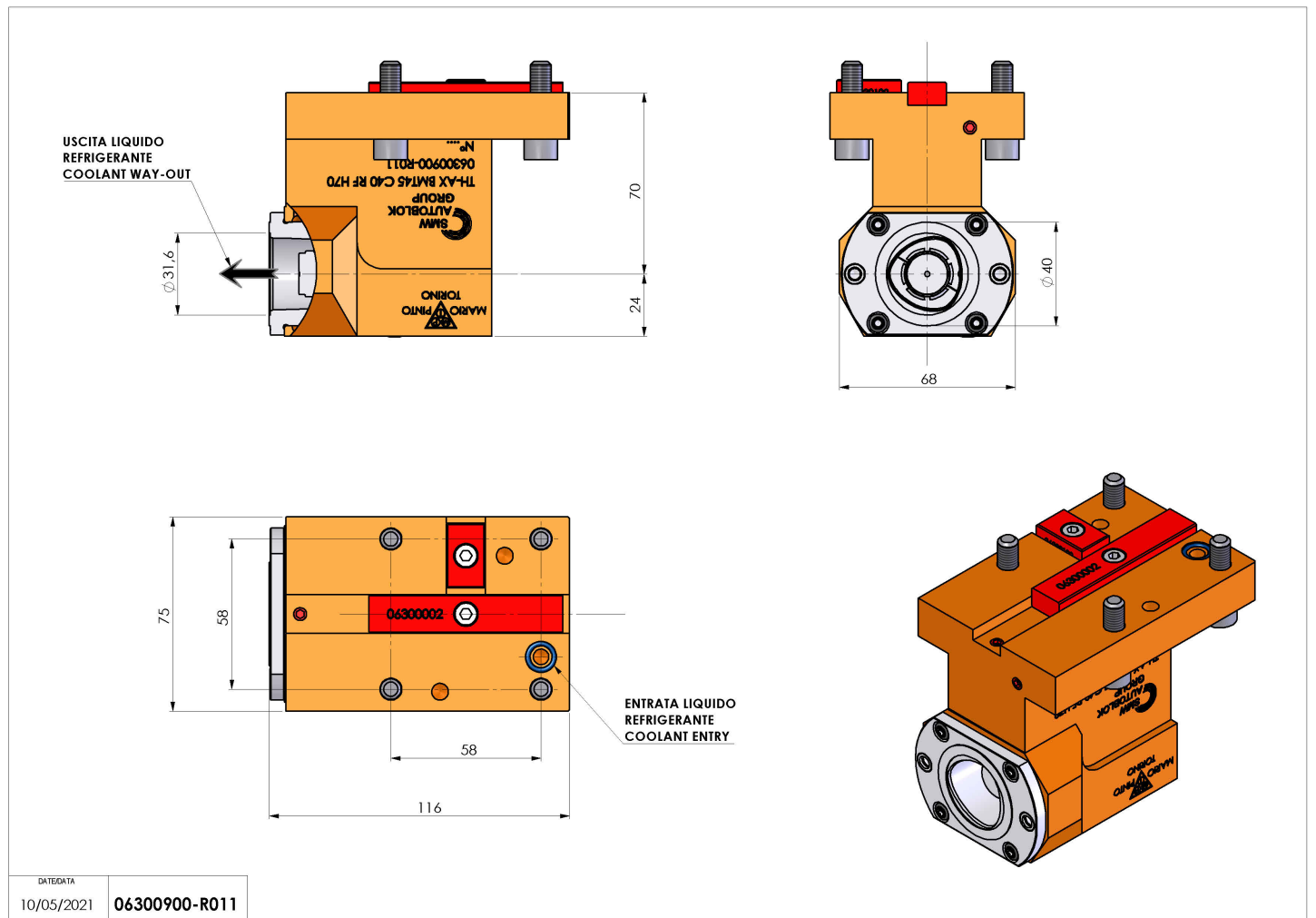


06300900 - TH-AX BMT45 C40 RF H70

| | |
|---------------|--|
| Type | TH-AX Axial Tool holder |
| Mounting | BMT 45 |
| Tool output | Polygonal shank C40 ISO 26623-1 |
| Coolant | Internal coolant |
| H [mm] | 70 |
| Accessories | N.A. |
| Notes | N.A. |
| Mounting tips | Not suitable for every application, please check |



Always check live tool dimensions on the turret



| | |
|---------------|------------|
| DATE/DATE | 10/05/2021 |
| 06300900-R011 | |

Subject to technical changes