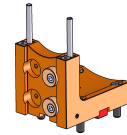


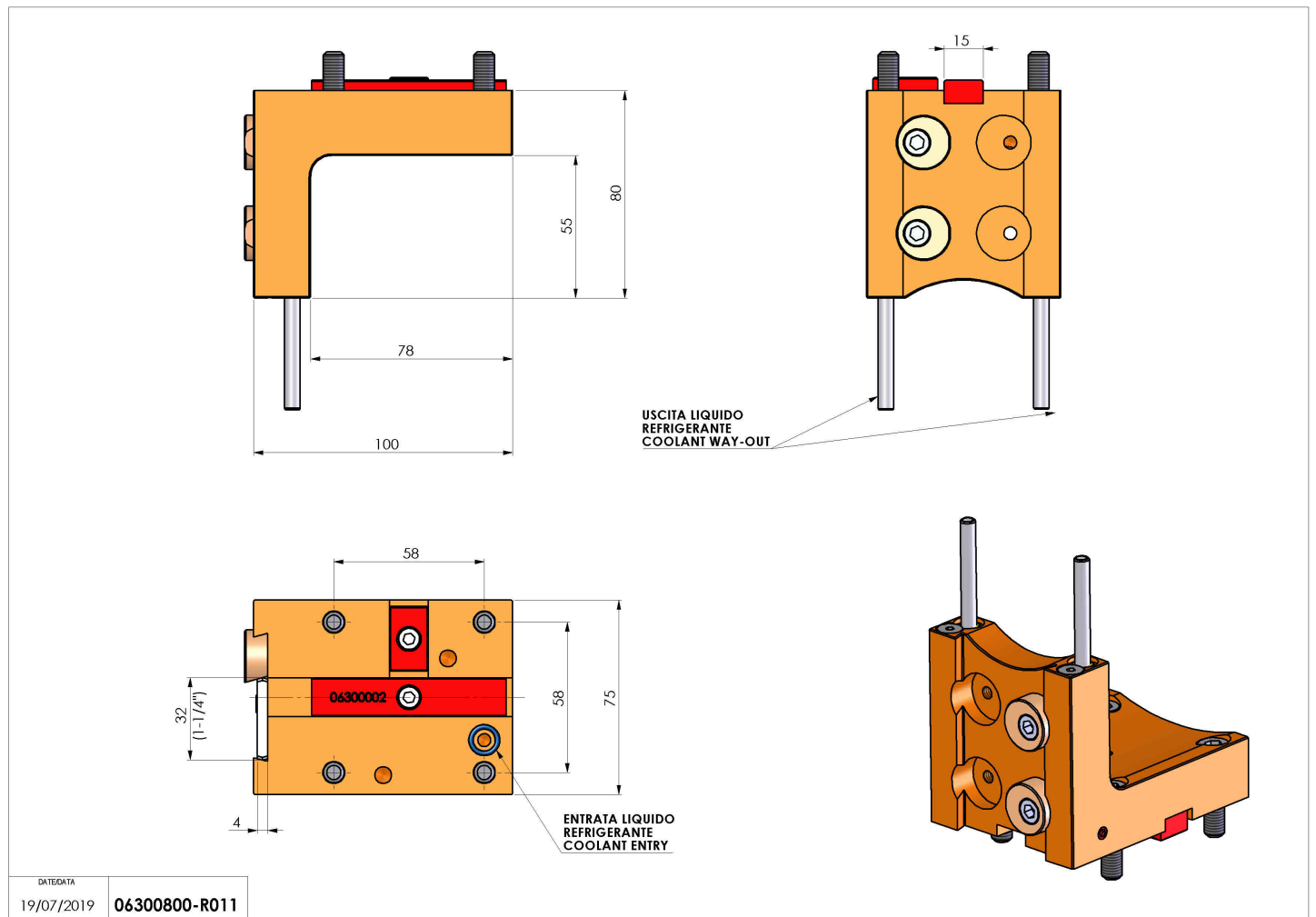
06300800 - TH-CUT BMT45 D1-1/4" H65

| | |
|-------------|---------------------------|
| Type | TH-CUT Cutting holder |
| Mounting | BMT 45 |
| Tool output | Cut Off Holder 1-1/4"(32) |
| Coolant | External coolant |
| H [mm] | 80 |



| | |
|---------------|--|
| Accessories | N.A. |
| Notes | N.A. |
| Mounting tips | Not suitable for every application, please check |

Always check live tool dimensions on the turret



| | | |
|-----------|------------|---------------|
| DATE/DATE | 19/07/2019 | 06300800-R011 |
|-----------|------------|---------------|

Subject to technical changes