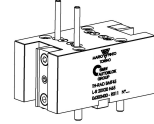


## 06300400 - TH-RAD BMT45 L-R 20X20 H65

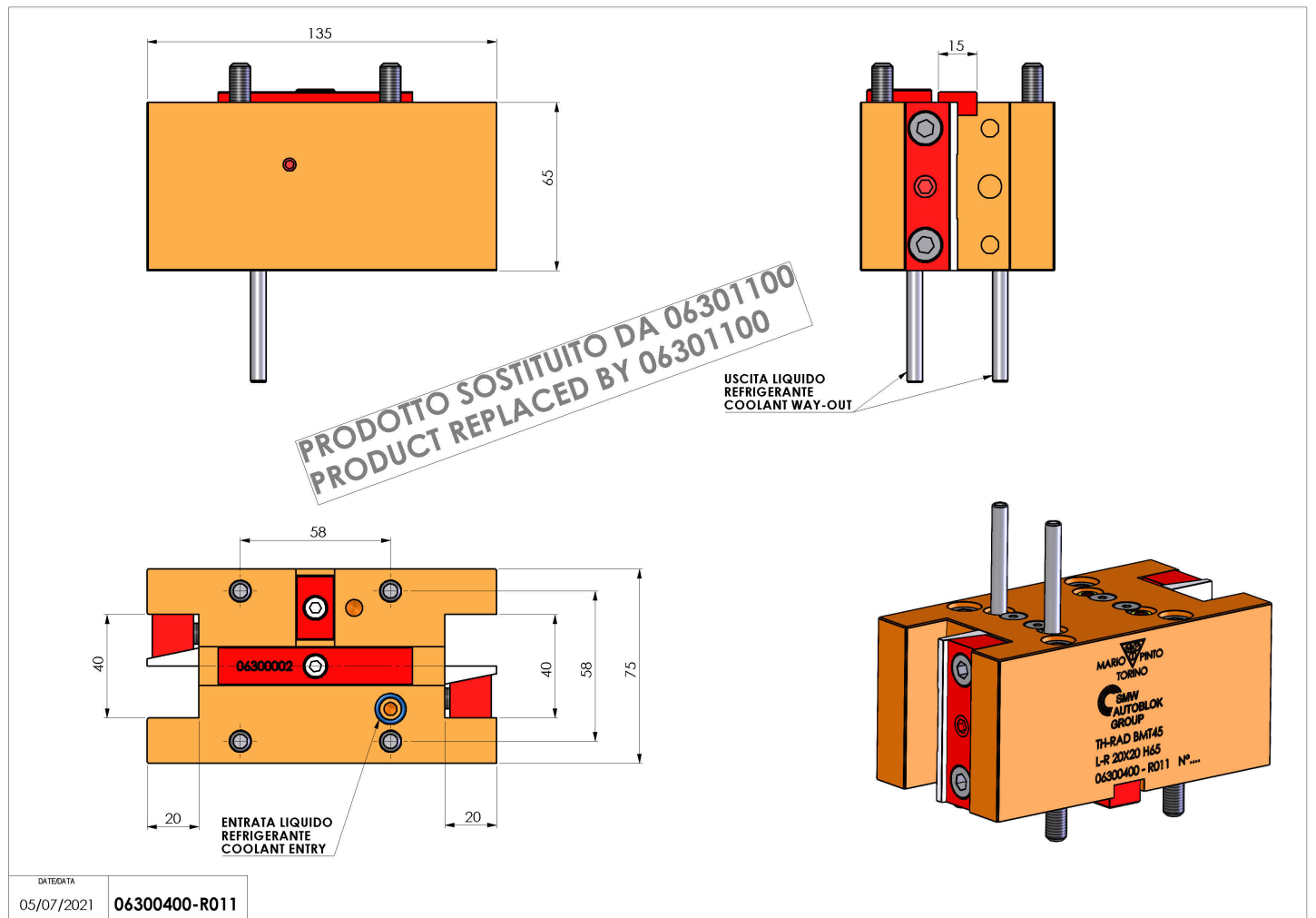
Type	TH-RAD Radial Tool holder
Mounting	BMT 45
Tool output	Radial Square Tool Holder 20x20
Coolant	External coolant
H [mm]	65



REPLACED BY 06301100

Accessories	N.A.
Notes	N.A.
Mounting tips	Not suitable for every application, please check

Always check live tool dimensions on the turret



Subject to technical changes