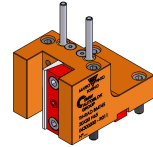


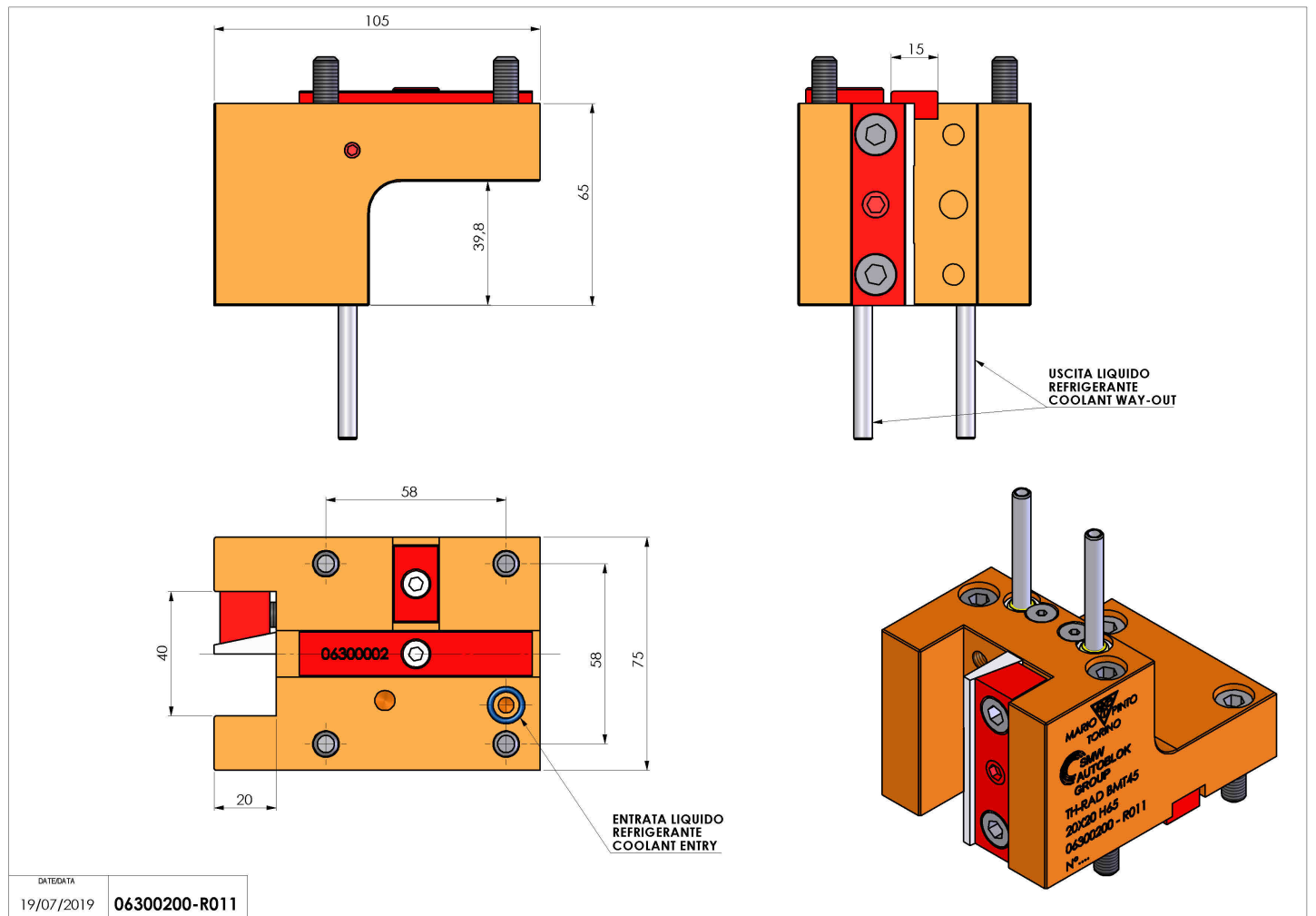
## 06300200 - TH-RAD BMT45 20X20 H65

|             |                                 |
|-------------|---------------------------------|
| Type        | TH-RAD<br>Radial Tool holder    |
| Mounting    | BMT 45                          |
| Tool output | Radial Square Tool Holder 20x20 |
| Coolant     | External coolant                |
| H [mm]      | 65                              |



|               |  |
|---------------|--|
| Accessories   | N.A.   |
| Notes         | N.A.   |
| Mounting tips | Not suitable for every application, please check |

Always check live tool dimensions on the turret



|           |            |               |
|-----------|------------|---------------|
| DATE/DATA | 19/07/2019 | 06300200-R011 |
|-----------|------------|---------------|

Subject to technical changes