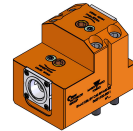


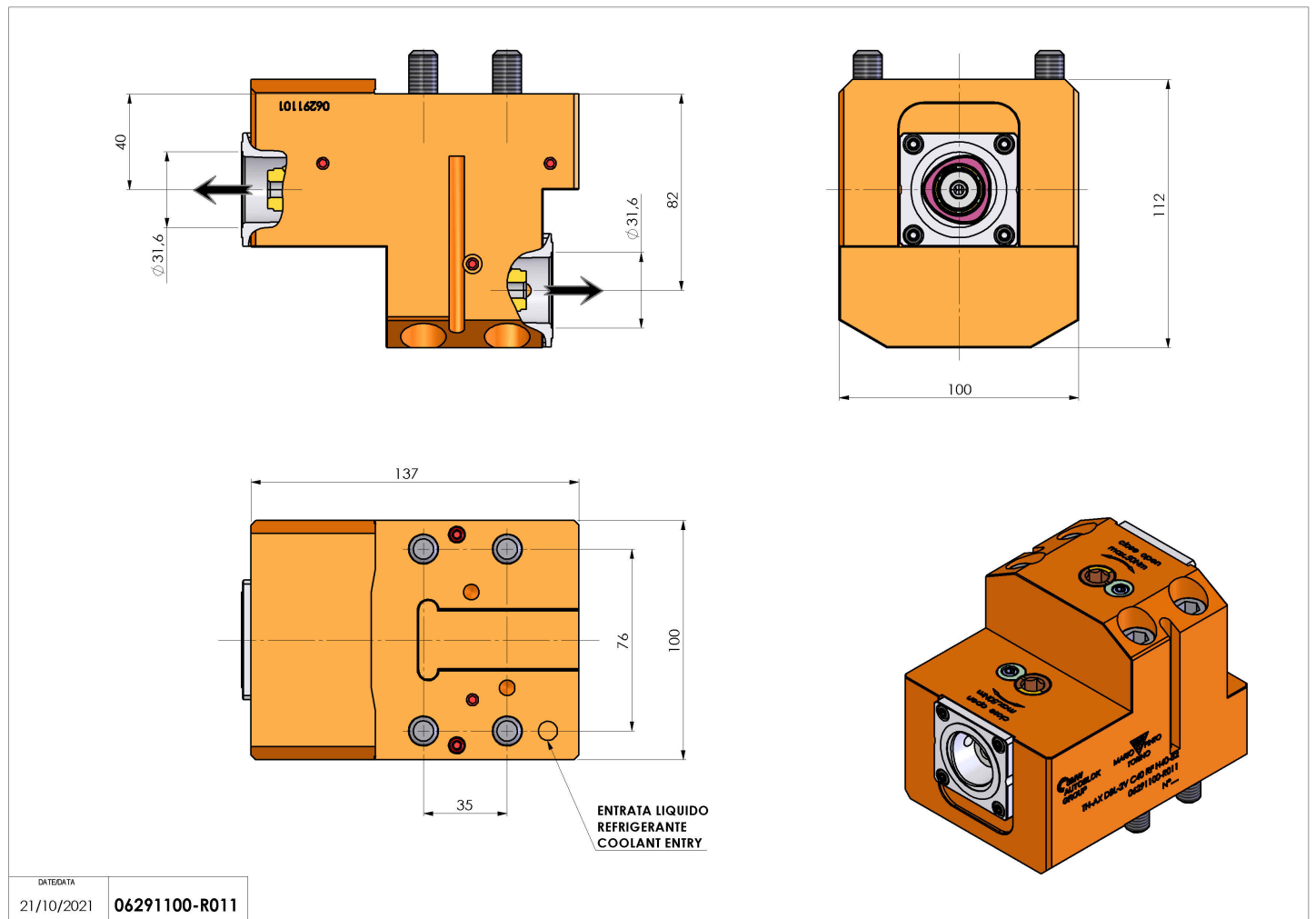
06291100 - TH-AX DBL-2V C40 RF H40-82

Type	TH-AX Axial Tool holder
Mounting	CMZ FIXING ATTACK
Tool output	Polygonal shank C40 ISO 26623-1
Coolant	Internal coolant
H [mm]	40-82



Accessories	N.A.
Notes	N.A.
Mounting tips	Not suitable for every application, please check

Always check live tool dimensions on the turret



Subject to technical changes