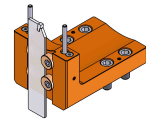


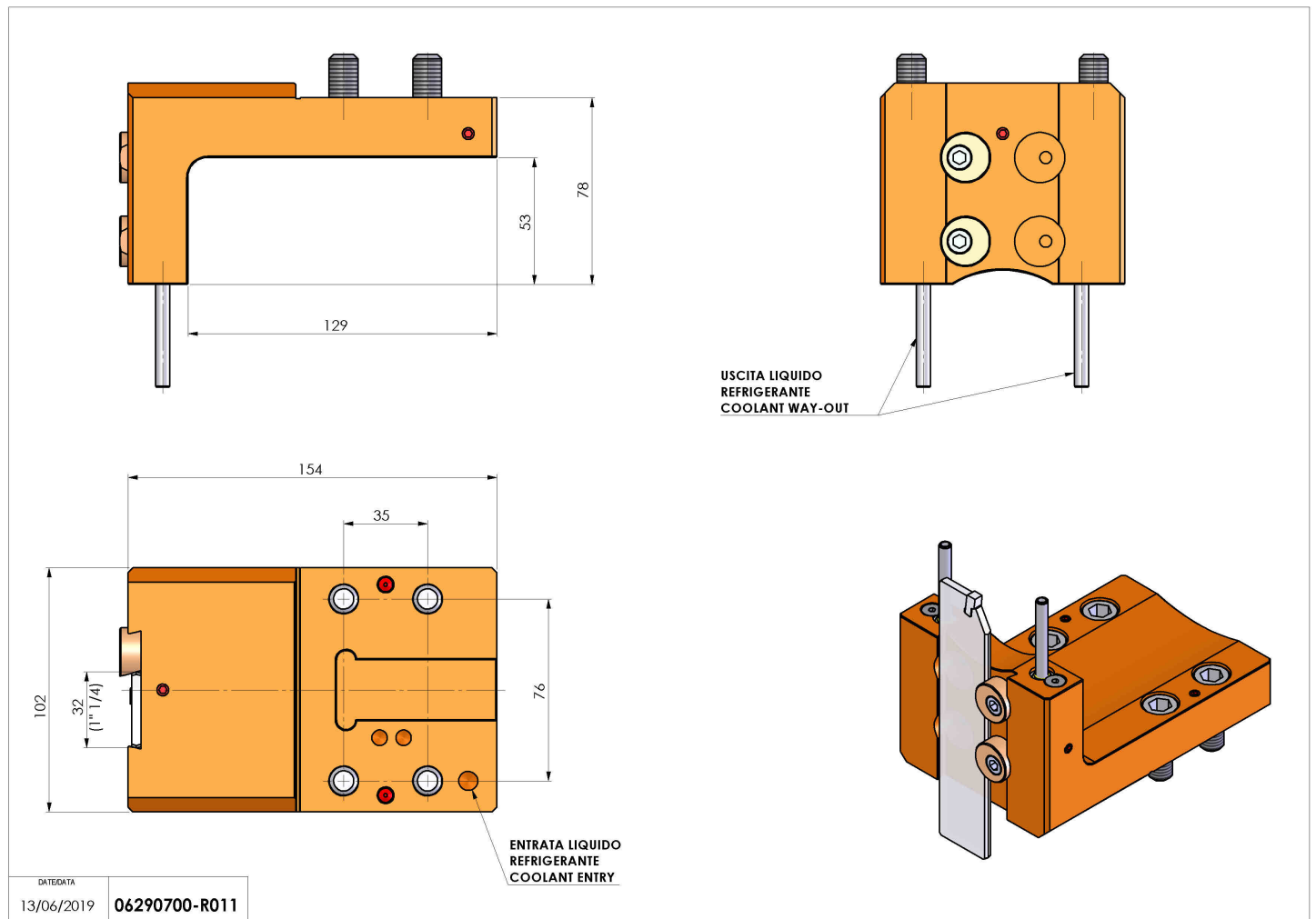
## 06290700 - TH-CUT UT1-1/4" (32) PL H78

<b>Type</b>	TH-CUT Cutting holder
<b>Mounting</b>	CMZ FIXING ATTACK
<b>Tool output</b>	Cut Off Holder 1-1/4"(32)
<b>Coolant</b>	External coolant
<b>H [mm]</b>	78



<b>Accessories</b>	N.A.
<b>Notes</b>	N.A.
<b>Mounting tips</b>	Not suitable for every application, please check

Always check live tool dimensions on the turret



**Subject to technical changes**