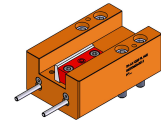


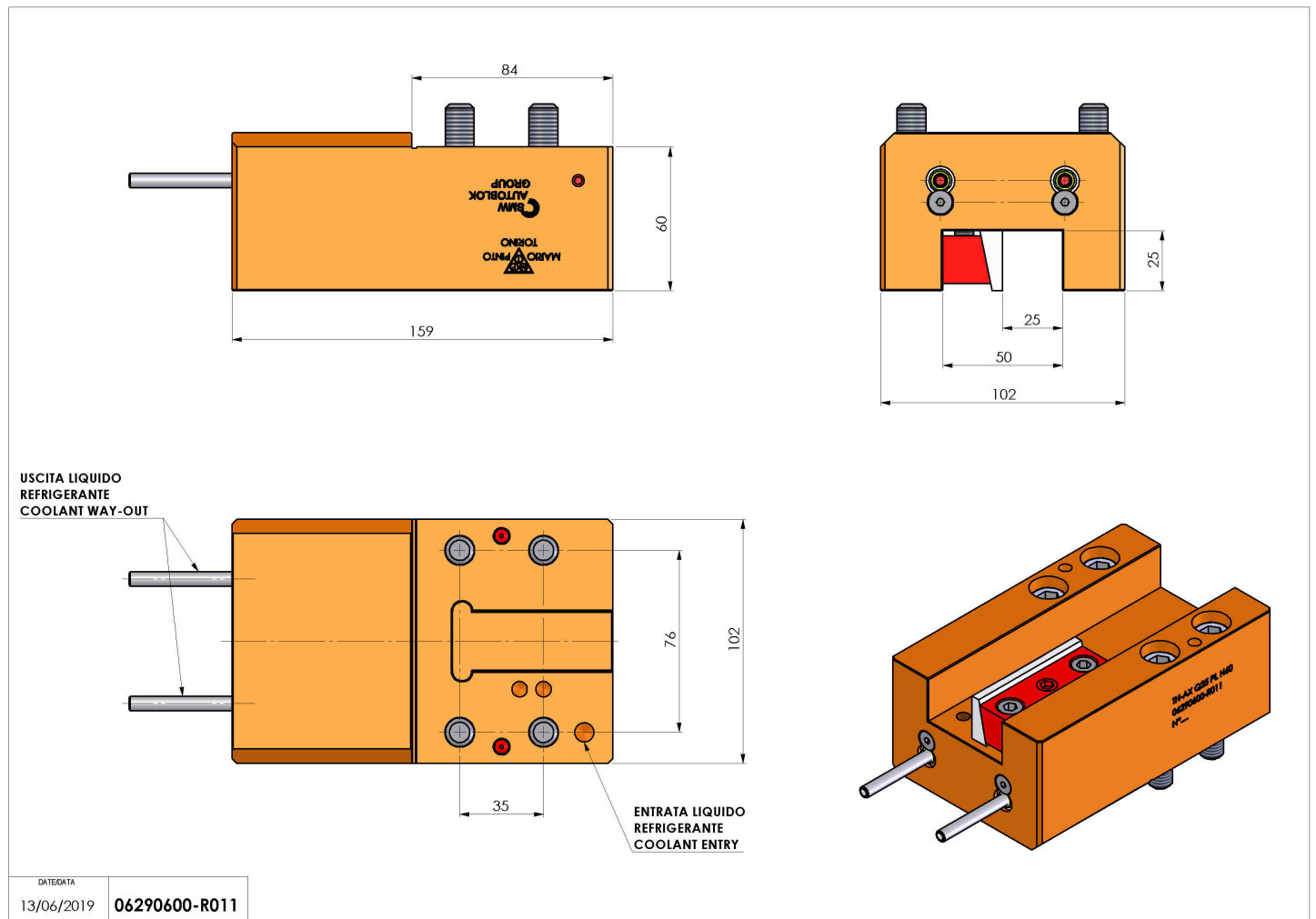
06290600 - TH-AX Q25 PL H60

Type	TH-AX Axial Tool holder
Mounting	CMZ FIXING ATTACK
Tool output	Axial Square Tool Holder 25x25
Coolant	External coolant
H [mm]	60



Accessories	N.A.
Notes	N.A.
Mounting tips	Not suitable for every application, please check

Always check live tool dimensions on the turret



Subject to technical changes