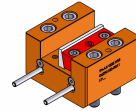


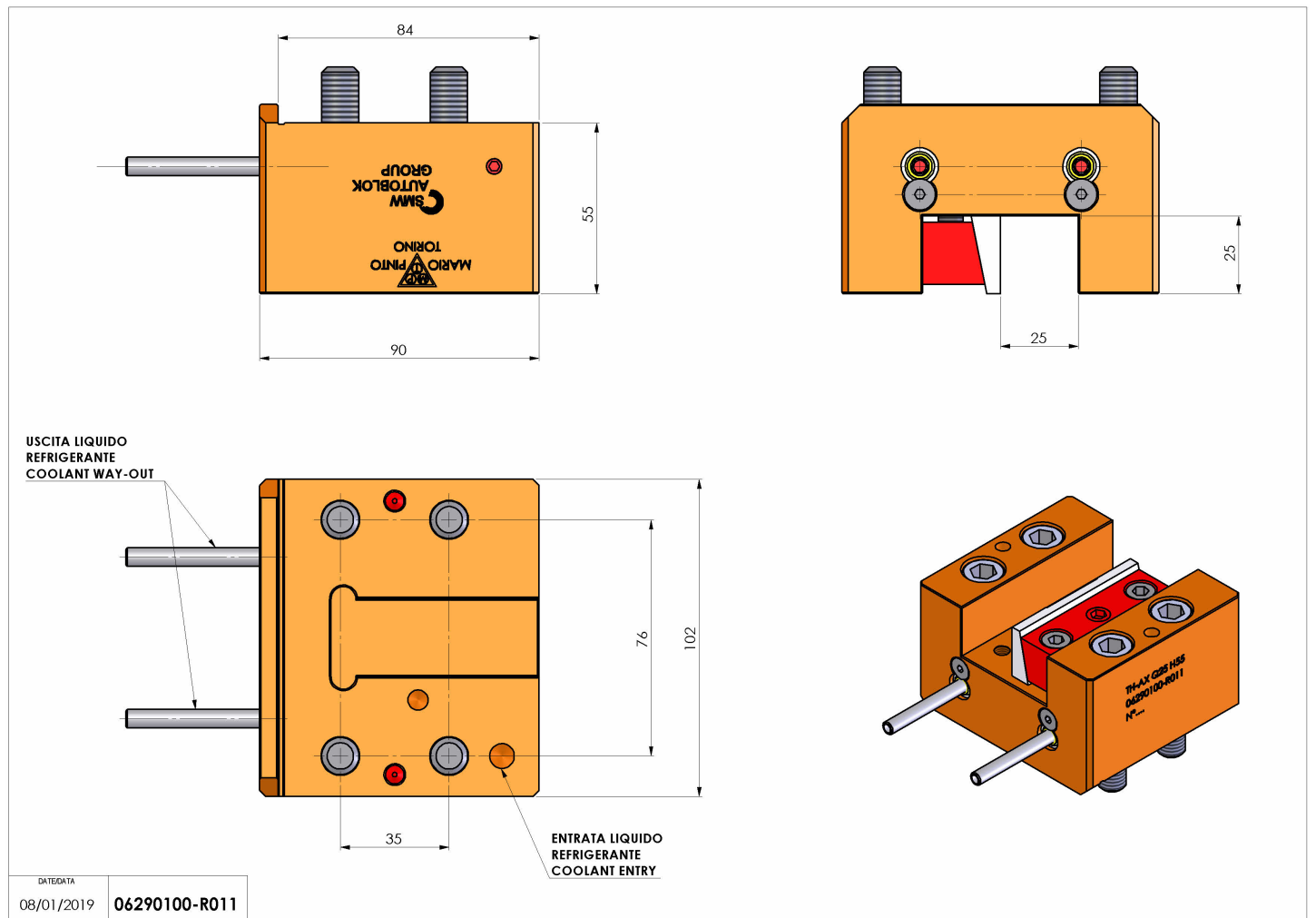
06290100 - TH-AX Q25 H55

Type	TH-AX Axial Tool holder
Mounting	CMZ FIXING ATTACK
Tool output	Axial Square Tool Holder 25x25
Coolant	External coolant
H [mm]	55



Accessories	N.A.
Notes	N.A.
Mounting tips	Not suitable for every application, please check

Always check live tool dimensions on the turret



DATE/ATA
08/01/2019 06290100-R011

Subject to technical changes