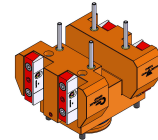


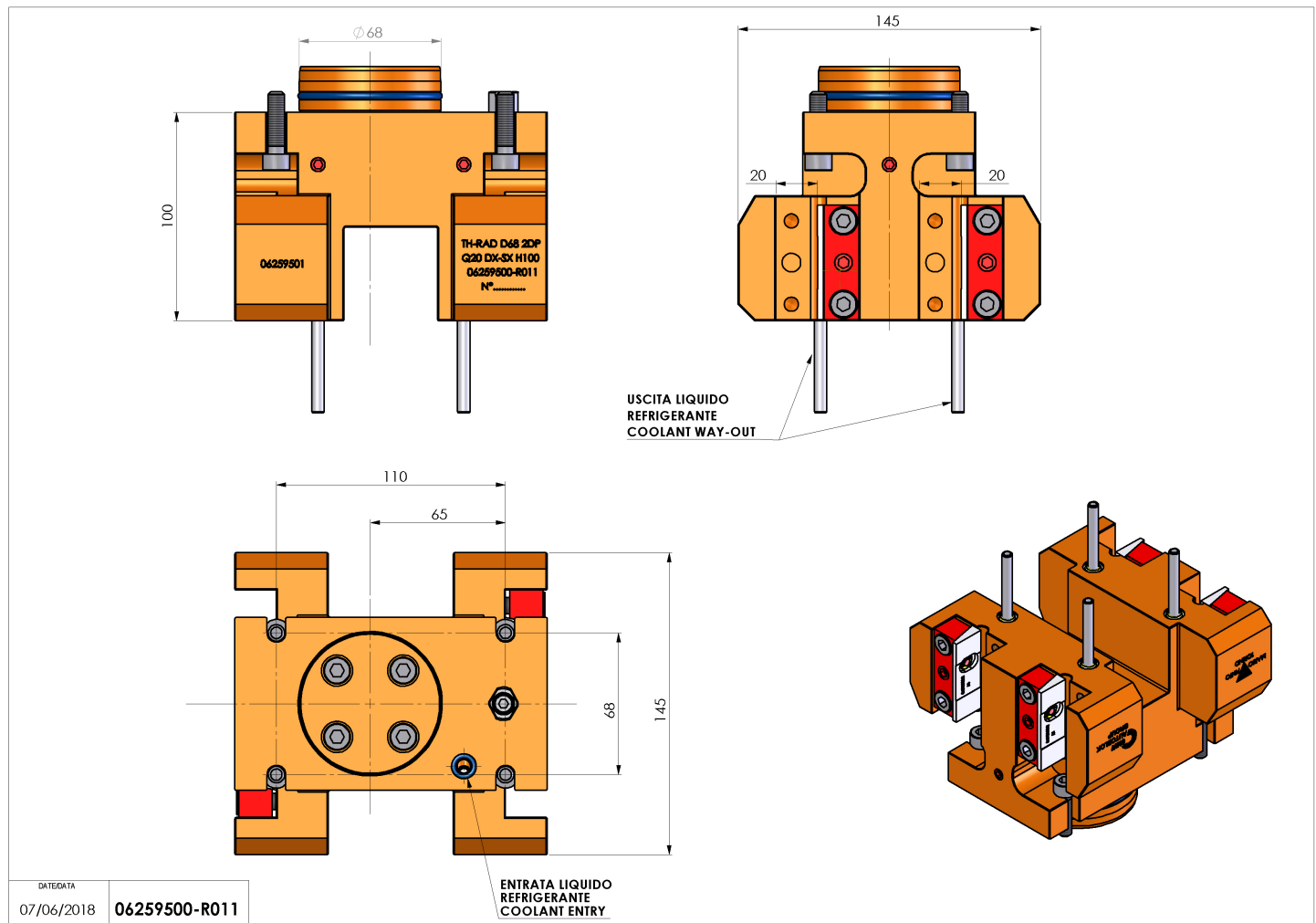
# 06259500 - TH-RAD D68 2DP Q20 DX-SX H100

<b>Type</b>	TH-RAD Radial Tool holder
<b>Mounting</b>	CYLINDRICAL SHANK 68
<b>Tool output</b>	Radial Square Tool Holder 20x20
<b>Coolant</b>	External coolant
<b>H [mm]</b>	100



<b>Accessories</b>	N.A.
<b>Notes</b>	N.A.
<b>Mounting tips</b>	Not suitable for every application, please check

Always check live tool dimensions on the turret



DATE DATA  
07/06/2018 06259500-R011

Subject to technical changes