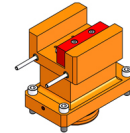


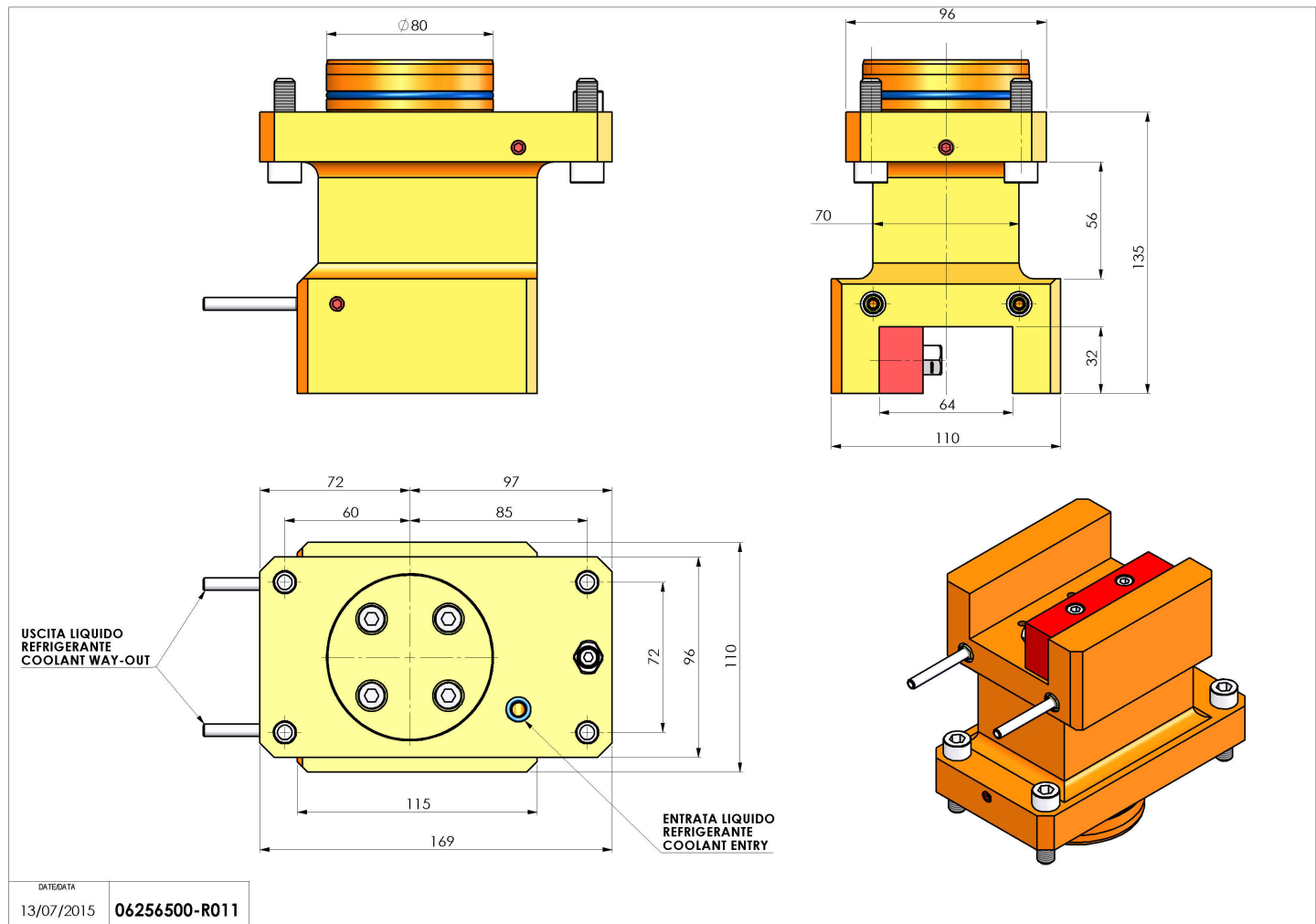
06256500 - TH-AX D80 H135 UT32X32 DX-SXMZ

Type	TH-AX Axial Tool holder
Mounting	CYLINDRICAL SHANK 80
Tool output	Radial Square Tool Holder 32x32
Coolant	External coolant
H [mm]	135



Accessories	N.A.
Notes	N.A.
Mounting tips	Not suitable for every application, please check

Always check live tool dimensions on the turret



DATE/ATA	13/07/2015	06256500-R011
----------	------------	---------------

Subject to technical changes