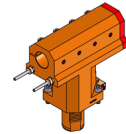


# 06253400 - TH-BRB VDI50 D40H155L210 RF MZ

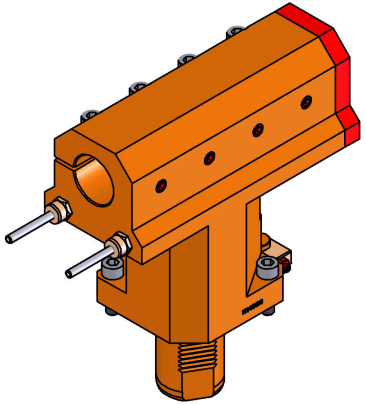
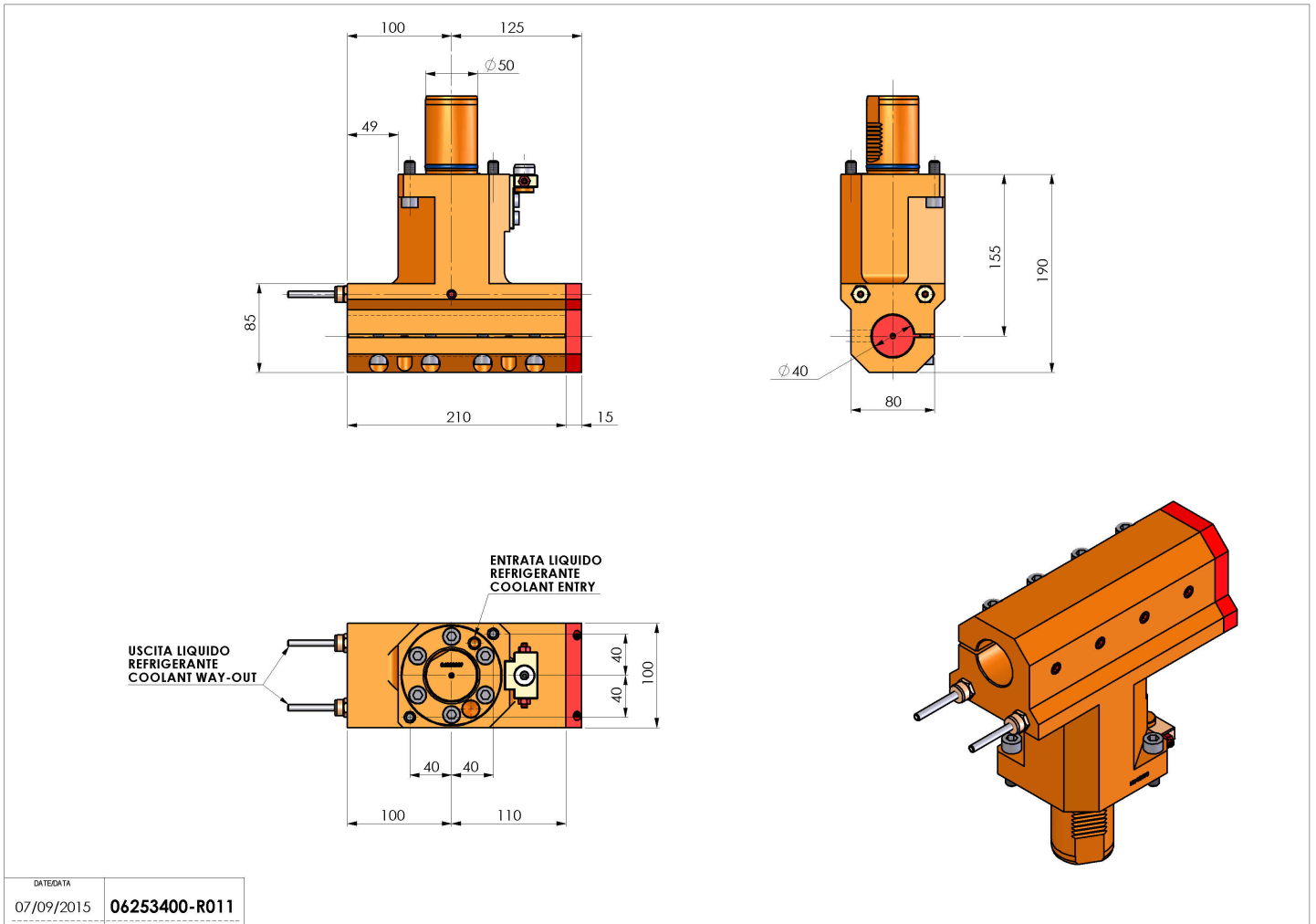
|             |                             |
|-------------|-----------------------------|
| Type        | TH-BRB<br>Boring bar holder |
| Mounting    | VDI 50                      |
| Tool output | Boring Bar Holder 40        |
| Coolant     | External / Internal coolant |
| H [mm]      | 155                         |



|               |  |
|---------------|--|
| Accessories   | N.A.   |
| Notes         | N.A.   |
| Mounting tips | Not suitable for every application, please check |

**ATTENZIONE: VERIFICARE L'ORIENTAMENTO DELLA DENTATURA VDI**

Always check live tool dimensions on the turret



Subject to technical changes