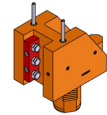


# 06253200 - TH-RAD VDI50 H110 L86 DX-SX MZ

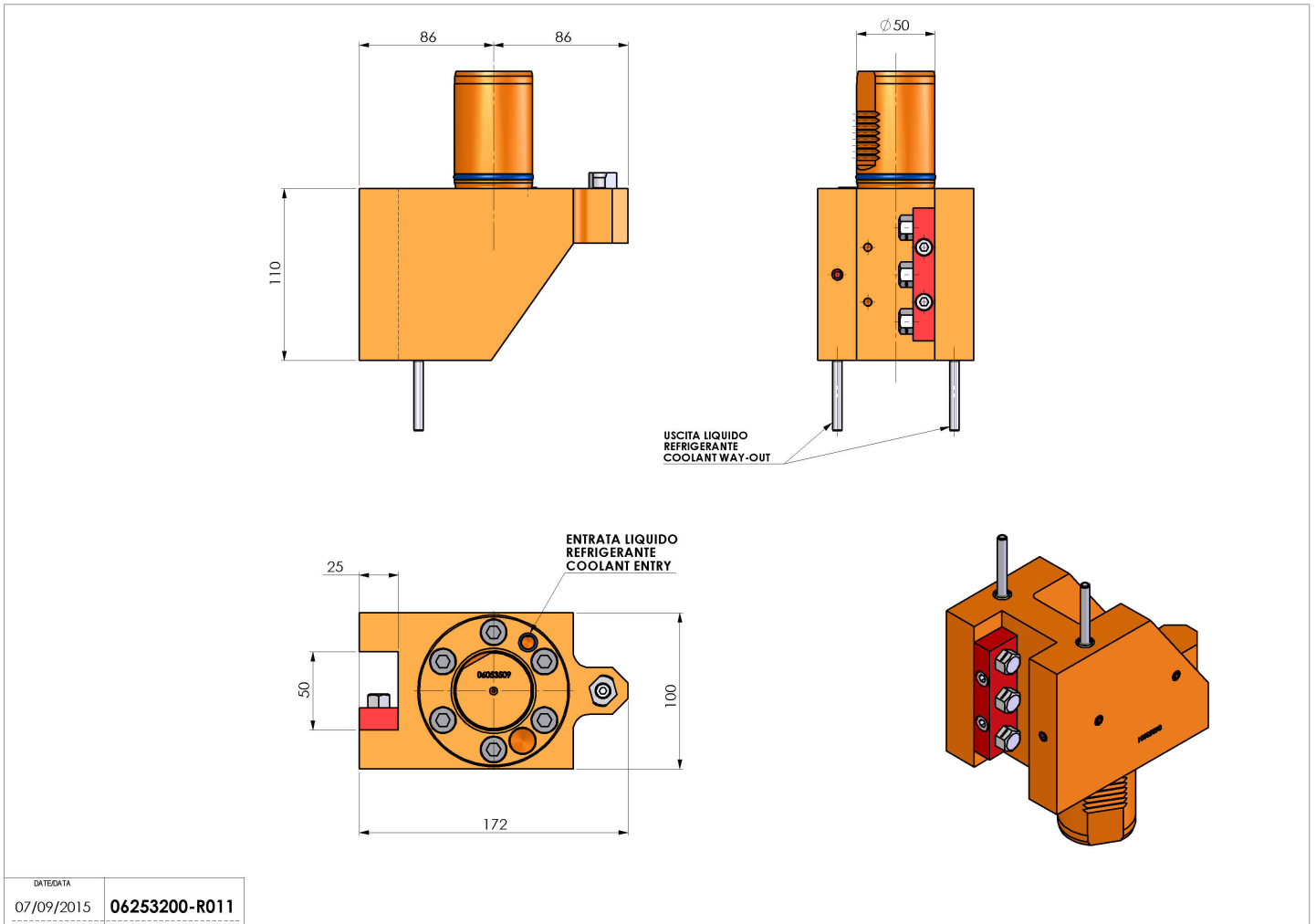
<b>Type</b>	TH-RAD Radial Tool holder
<b>Mounting</b>	VDI 50
<b>Tool output</b>	Radial Square Tool Holder 25x25
<b>Coolant</b>	External coolant
<b>H [mm]</b>	110



<b>Accessories</b>	N.A.
<b>Notes</b>	N.A.
<b>Mounting tips</b>	Not suitable for every application, please check

**ATTENZIONE: VERIFICARE L'ORIENTAMENTO DELLA DENTATURA VDI**

Always check live tool dimensions on the turret



DATE/DATE	07/09/2015
	06253200-R011

Subject to technical changes