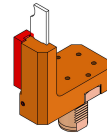


## 06250700 - TH-CUT VDI40 SP5 H120 OFS70 MZ

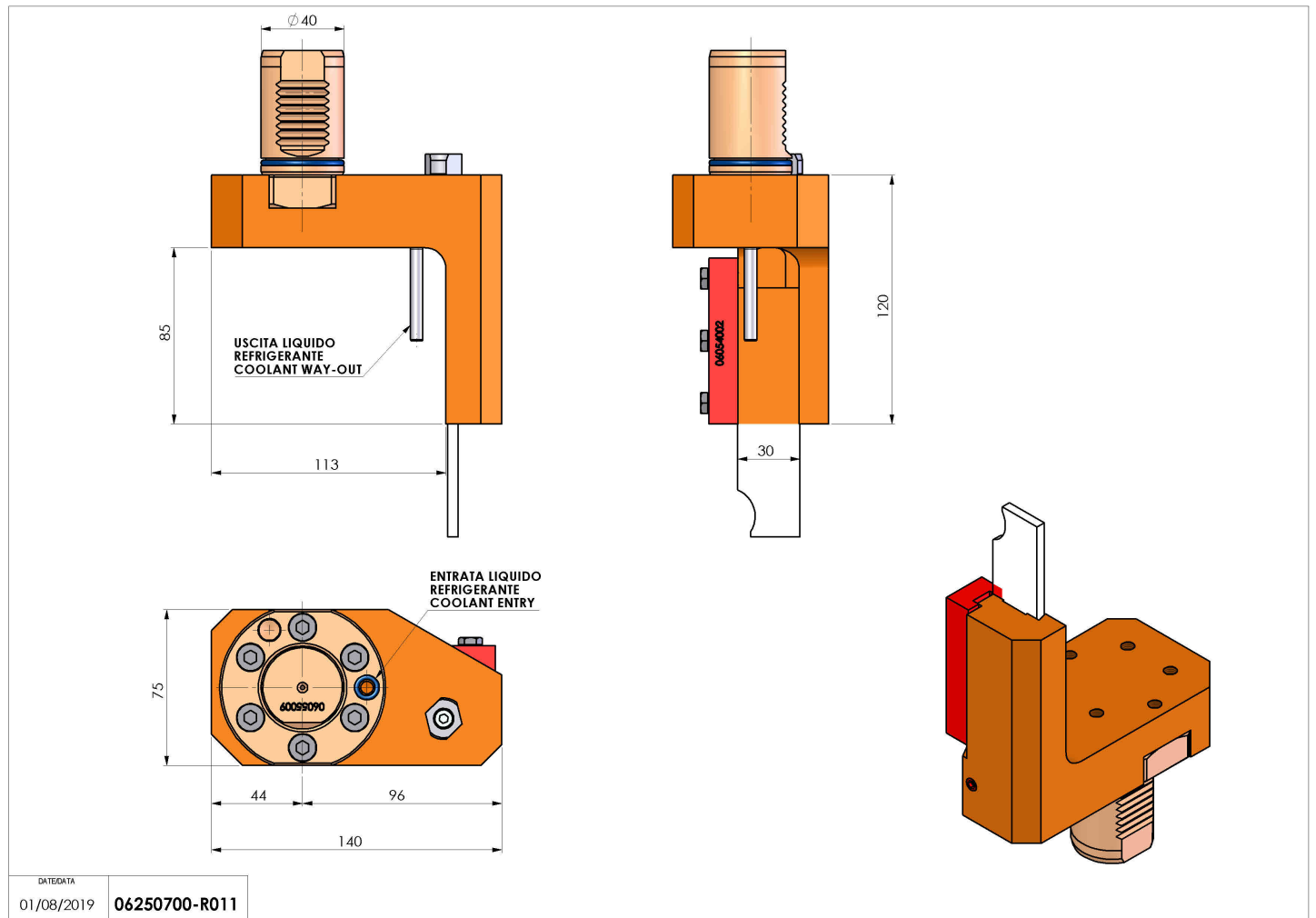
|             |                          |
|-------------|--------------------------|
| Type        | TH-CUT<br>Cutting holder |
| Mounting    | VDI 40                   |
| Tool output | Cut Off Holder 32        |
| Coolant     | External coolant         |
| H [mm]      | 120                      |



|               |  |
|---------------|--|
| Accessories   | N.A.   |
| Notes         | N.A.   |
| Mounting tips | Not suitable for every application, please check |

**ATTENZIONE: VERIFICARE L'ORIENTAMENTO DELLA DENTATURA VDI**

Always check live tool dimensions on the turret



Subject to technical changes

DATE/DATE  
01/08/2019 06250700-R011