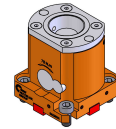
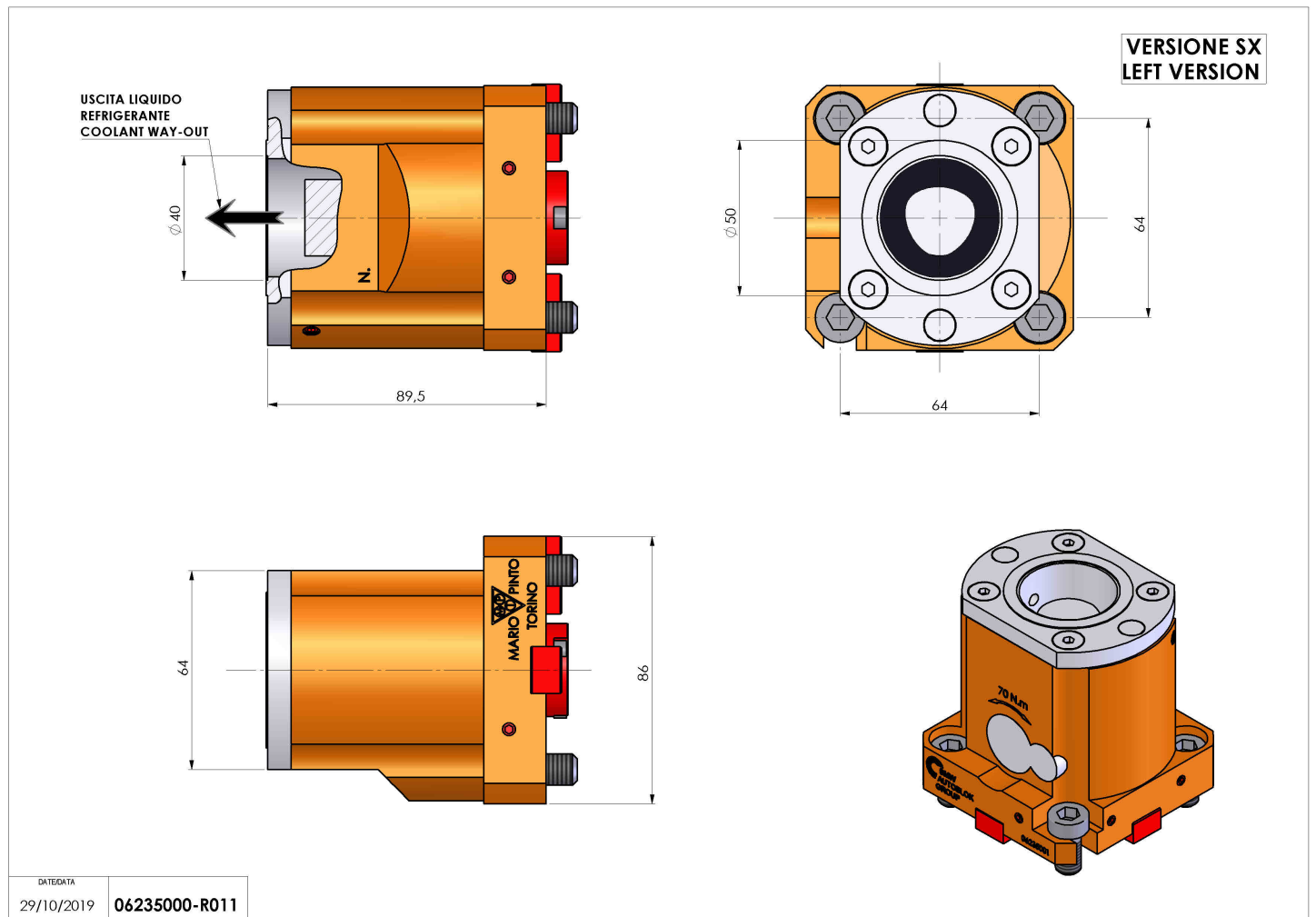


06235000 - TH-AX BMT55EM C50 L H90

Type	TH-AX Axial Tool holder
Mounting	BMT 55 EM
Tool output	Polygonal shank C50 ISO 26623-1
Coolant	Internal coolant
H [mm]	90
Accessories	N.A.
Notes	N.A.
Mounting tips	Not suitable for every application, please check



Always check live tool dimensions on the turret



DATE/GATE	06235000-R011
-----------	---------------

Subject to technical changes