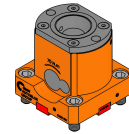
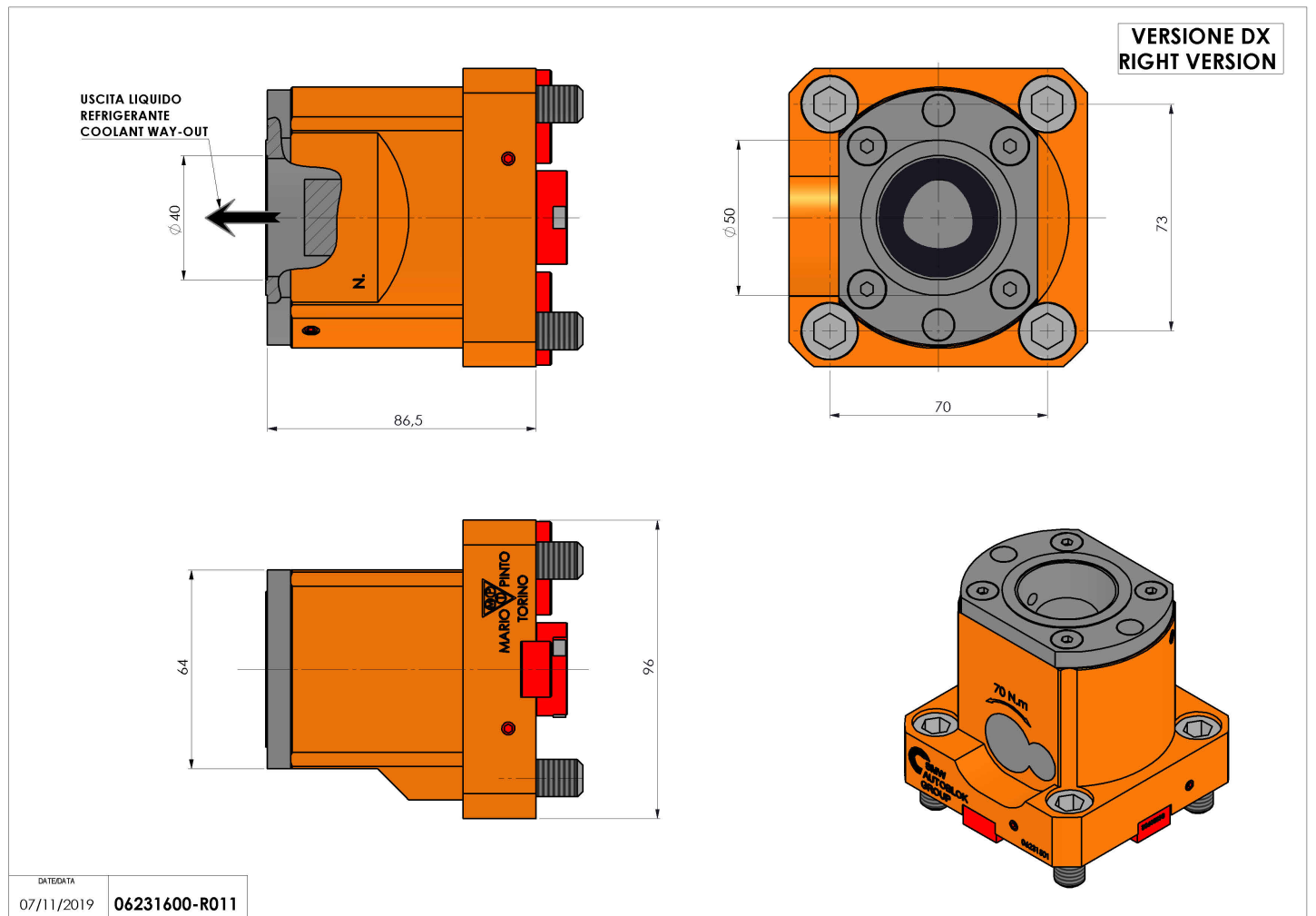


06231600 - TH-RAD BMT65EM C50 R H87

Type	TH-RAD Radial Tool holder
Mounting	BMT 65 EM
Tool output	Polygonal shank C50 ISO 26623-1
Coolant	Internal coolant
H [mm]	87
Accessories	N.A.
Notes	N.A.
Mounting tips	Not suitable for every application, please check



Always check live tool dimensions on the turret



DATE/GATA	07/11/2019	06231600-R011
-----------	------------	---------------

Subject to technical changes