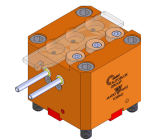


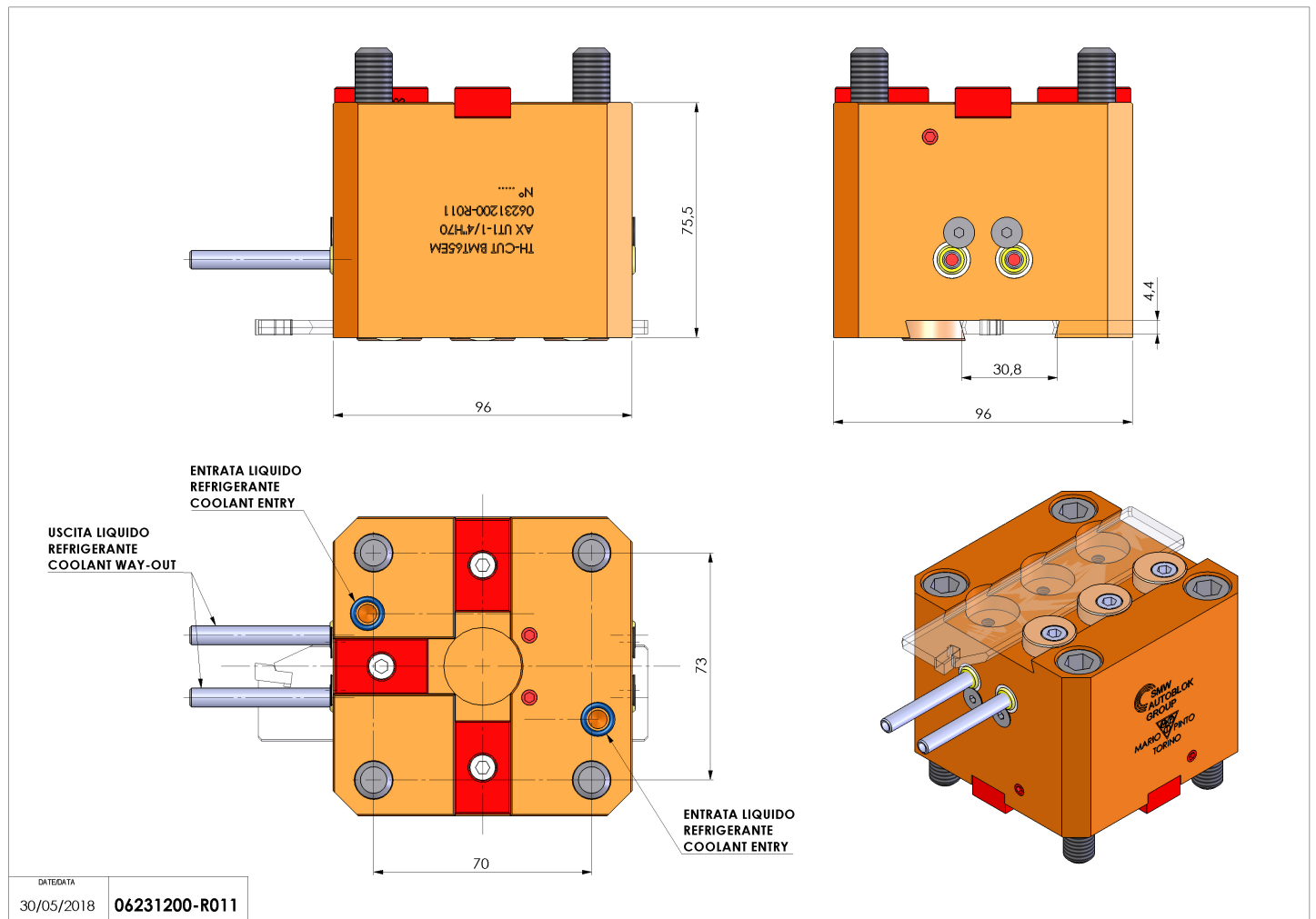
06231200 - TH-CUT BMT65EM AX UT1-1/4" H70

Type	TH-CUT Cutting holder
Mounting	BMT 65 EM
Tool output	Cut Off Holder 1-1/4"(32)
Coolant	External coolant
H [mm]	70



Accessories	N.A.
Notes	N.A.
Mounting tips	Not suitable for every application, please check

Always check live tool dimensions on the turret



DATE/DATE	30/05/2018	06231200-R011
-----------	------------	---------------

Subject to technical changes