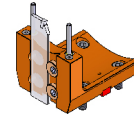


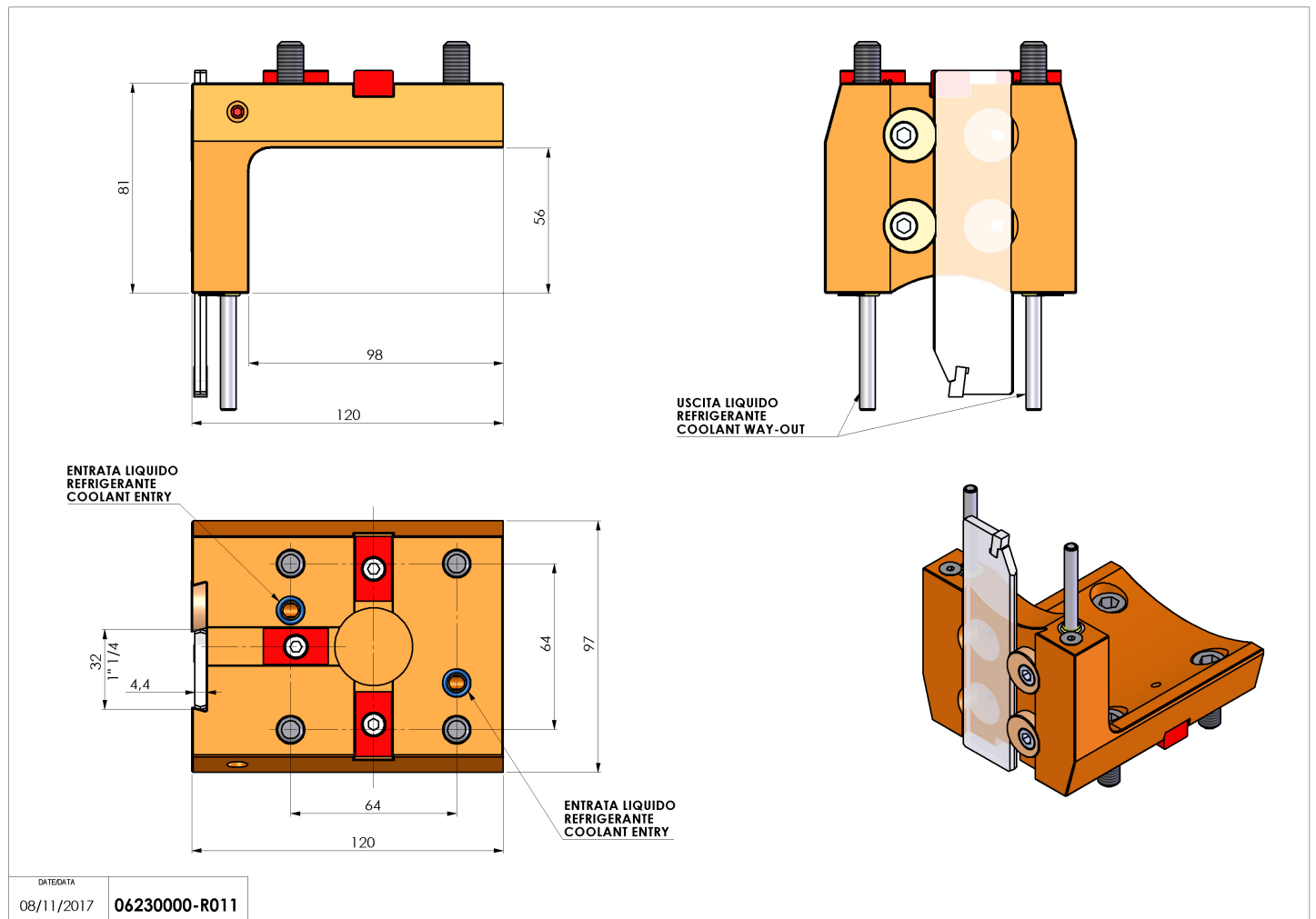
06230000 - TH-CUT BMT55EM UT1-1/4"(32)H80

Type	TH-CUT Cutting holder
Mounting	BMT 55 EM
Tool output	Cut Off Holder 1-1/4"(32)
Coolant	External coolant
H [mm]	80



Accessories	N.A.
Notes	N.A.
Mounting tips	Not suitable for every application, please check

Always check live tool dimensions on the turret



DATE/DATE	08/11/2017
PART NUMBER	06230000-R011

Subject to technical changes