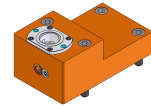


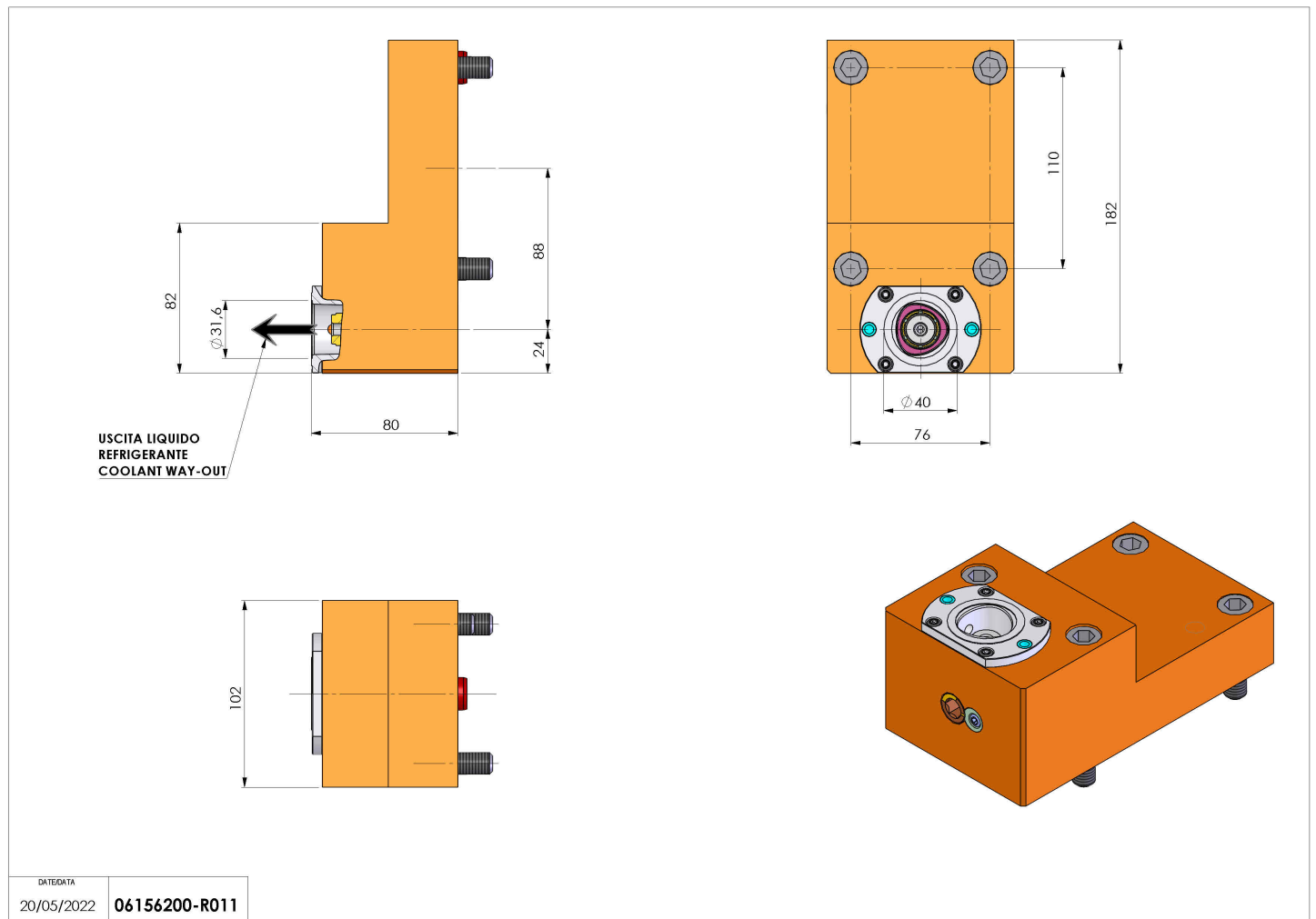
06156200 - TH-RAD P18 C40 RF OFS-88 H80

Type	TH-RAD Radial Tool holder
Mounting	PIN Ø18 (D55)
Tool output	Polygonal shank C40 ISO 26623-1
Coolant	Internal coolant
H [mm]	80



Accessories	N.A.
Notes	N.A.
Mounting tips	Not suitable for every application, please check

Always check live tool dimensions on the turret



DATE/DATE	20/05/2022
PART NUMBER	06156200-R011

Subject to technical changes