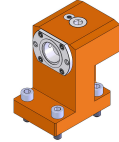
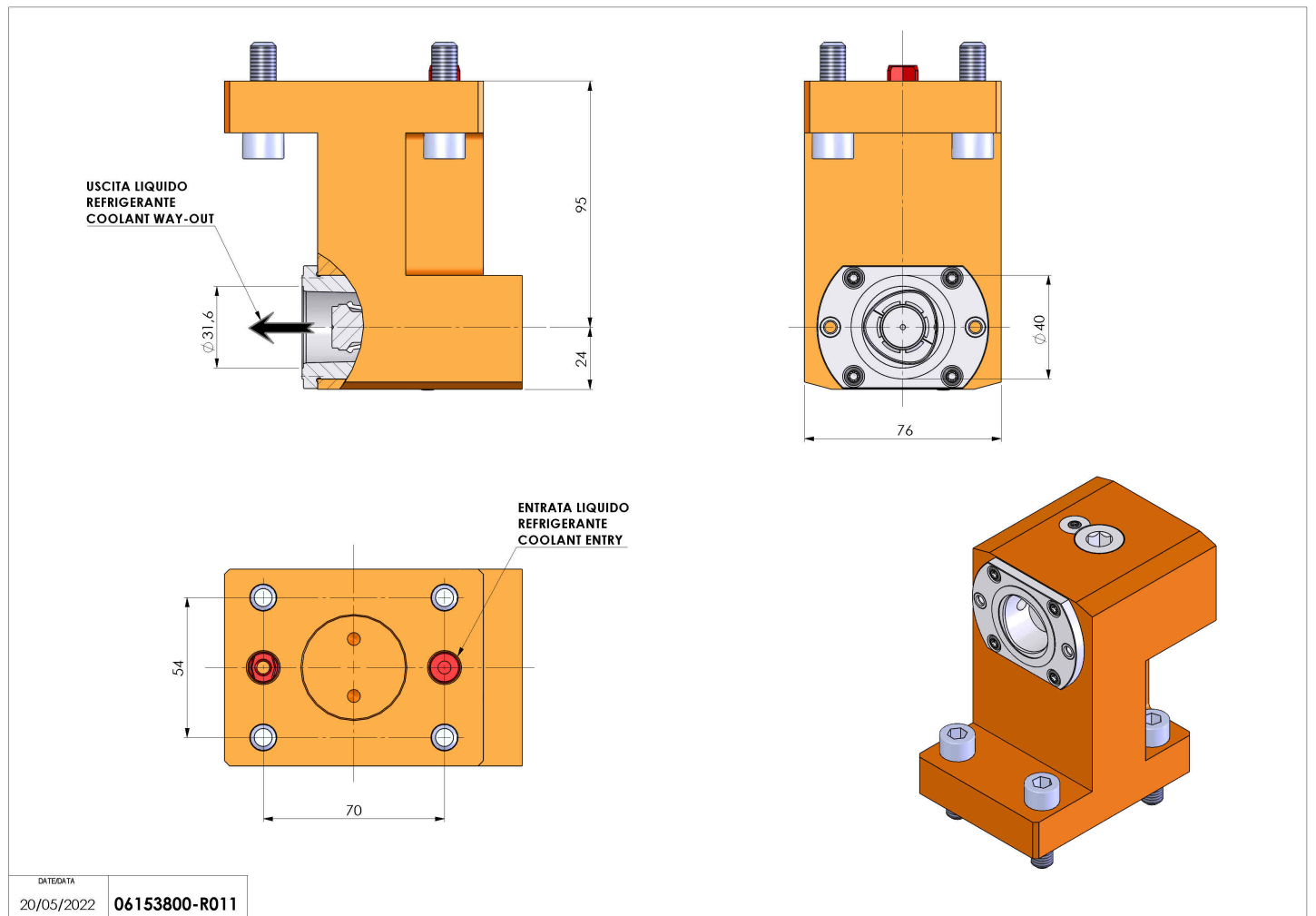


06153800 - TH-AX P12 C40 RF OFS-20 H95

Type	TH-AX Axial Tool holder
Mounting	PIN Ø12 (D40)
Tool output	Polygonal shank C40 ISO 26623-1
Coolant	Internal coolant
H [mm]	95
Accessories	N.A.
Notes	N.A.
Mounting tips	Not suitable for every application, please check



Always check live tool dimensions on the turret



DATE/DATA
20/05/2022 06153800-R011

Subject to technical changes