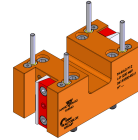
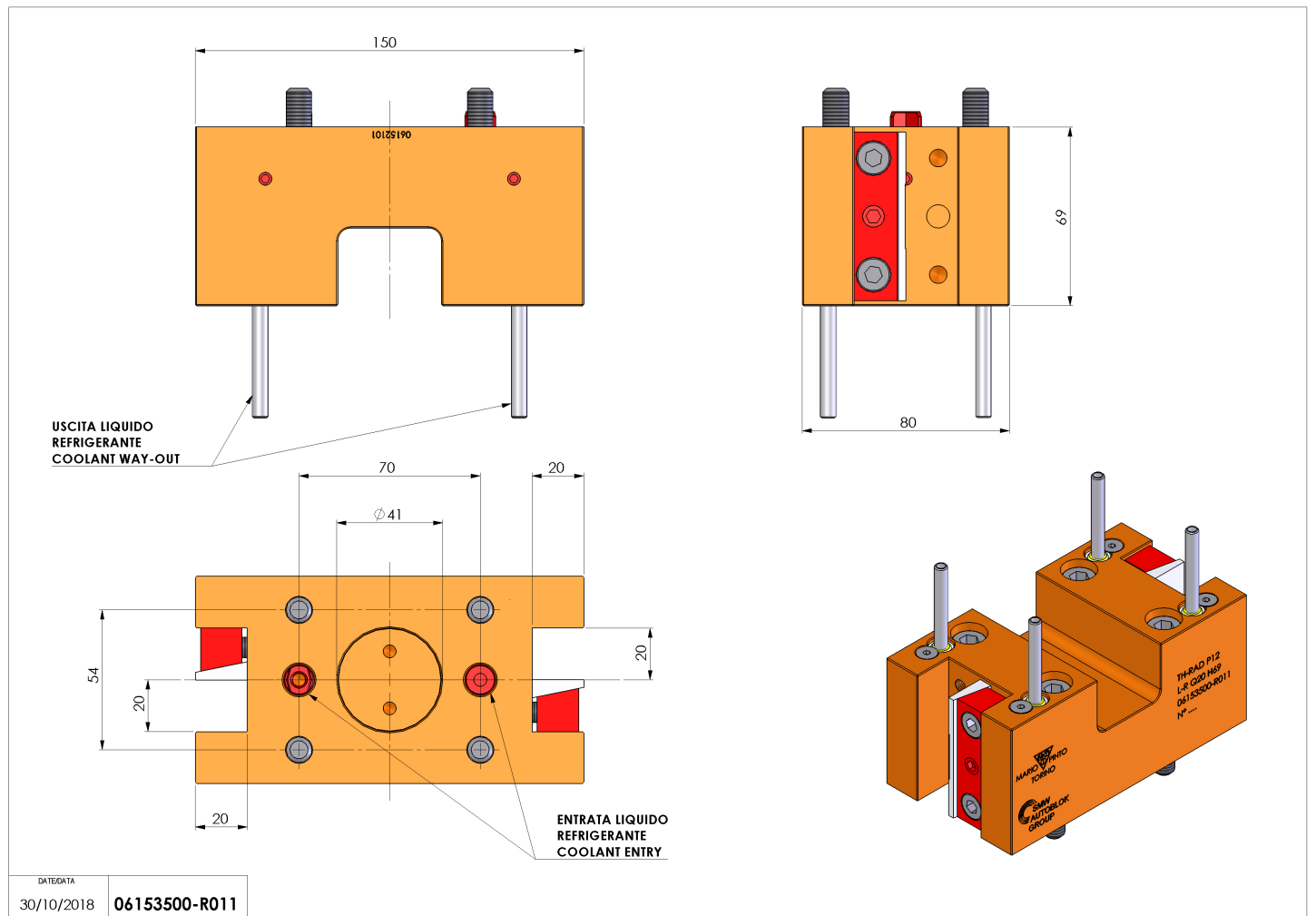


06153500 - TH-RAD P12 L-R Q20 H69

| | |
|---------------|--|
| Type | TH-RAD Radial Tool holder |
| Mounting | PIN Ø12 (D40) |
| Tool output | Radial Square Tool Holder 20x20 |
| Coolant | External coolant |
| H [mm] | 69 |
| Accessories | N.A. |
| Notes | N.A. |
| Mounting tips | Not suitable for every application, please check |



Always check live tool dimensions on the turret



| | | |
|-----------|------------|---------------|
| DATE/DATA | 30/10/2018 | 06153500-R011 |
|-----------|------------|---------------|

Subject to technical changes