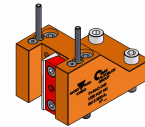


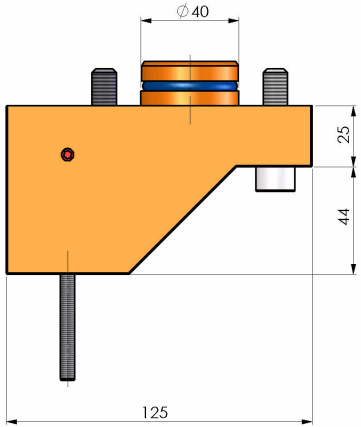
06151800 - TH-RAD D40 UT20 H69 MU

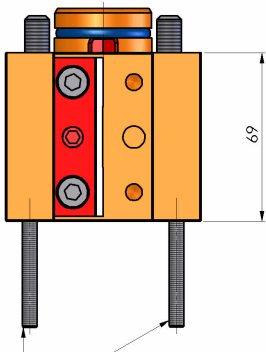
Type	TH-RAD Radial Tool holder
Mounting	CYLINDRICAL SHANK 40
Tool output	Radial Square Tool Holder 20x20
Coolant	External coolant
H [mm]	69



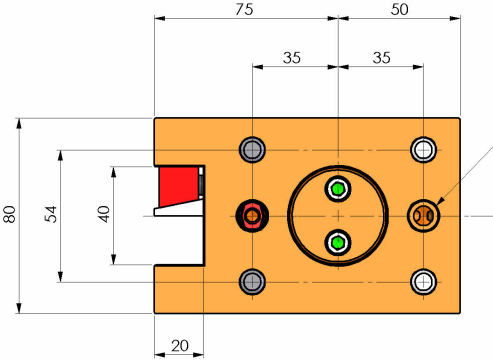
Accessories	N.A.
Notes	N.A.
Mounting tips	Not suitable for every application, please check

Always check live tool dimensions on the turret

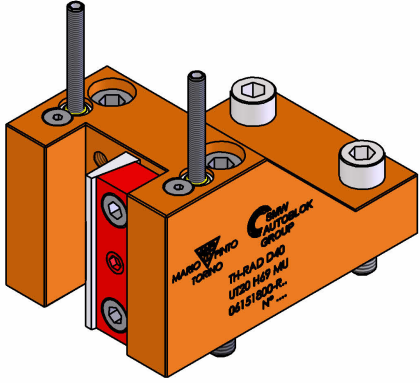




USCITA LIQUIDO
REFRIGERANTE
COOLANT WAY-OUT



ENTRATA LIQUIDO
REFRIGERANTE
COOLANT ENTRY



DATE/GATA

22/02/2019

06151800-R011

Subject to technical changes