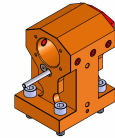


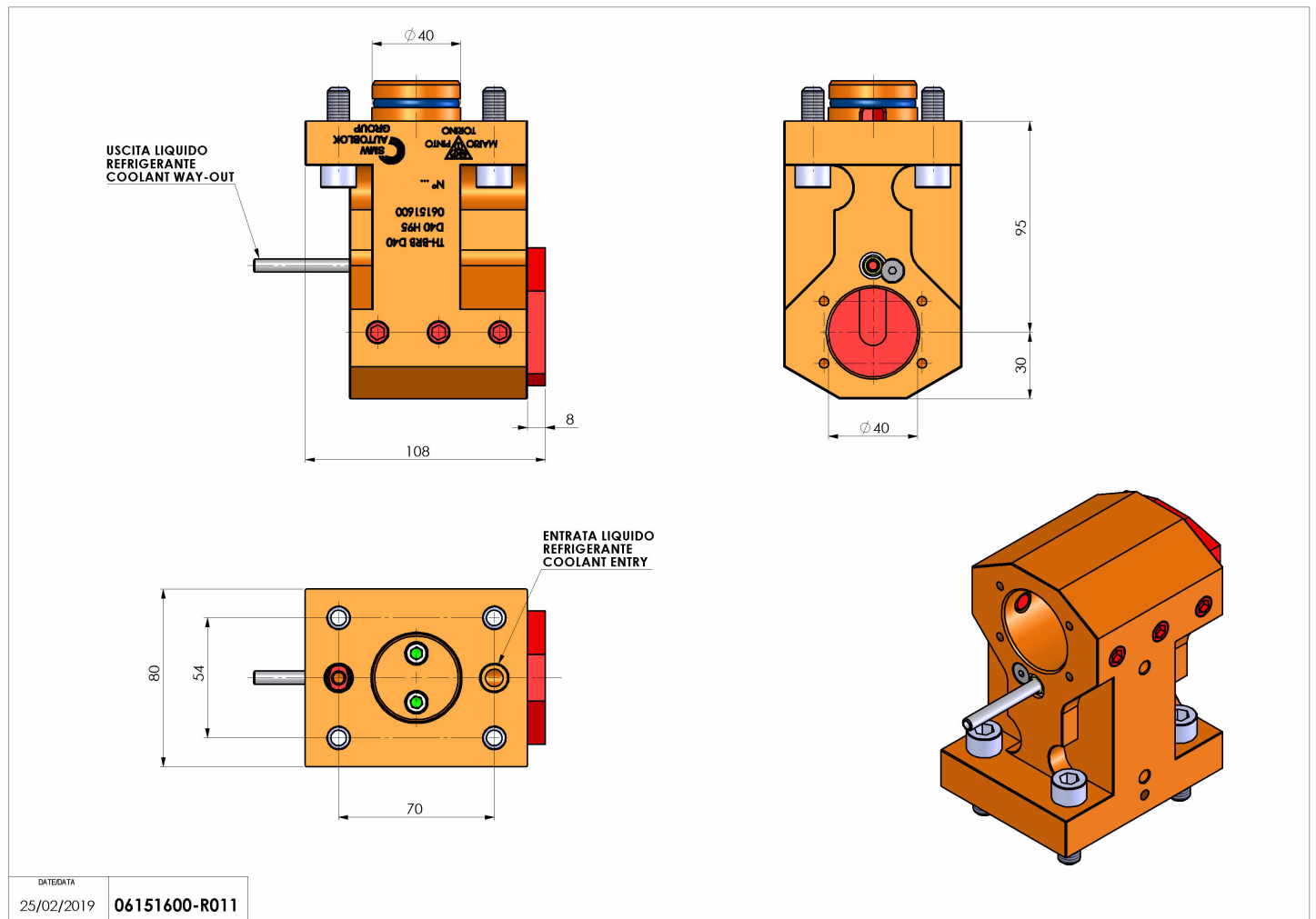
06151600 - TH-BRB D40 D40 H95 MU

| | |
|-------------|-----------------------------|
| Type | TH-BRB Boring bar holder |
| Mounting | CYLINDRICAL SHANK 40 |
| Tool output | Boring Bar Holder 40 |
| Coolant | External / Internal coolant |
| H [mm] | 95 |



| | |
|---------------|--|
| Accessories | N.A. |
| Notes | N.A. |
| Mounting tips | Not suitable for every application, please check |

Always check live tool dimensions on the turret



Subject to technical changes