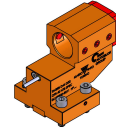


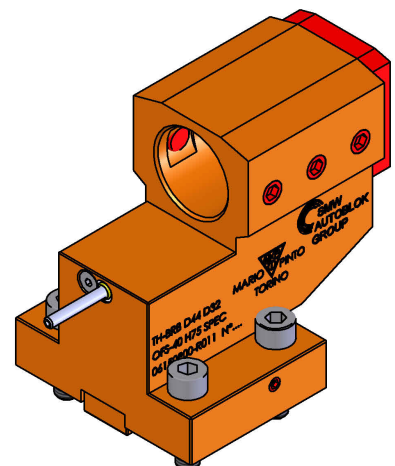
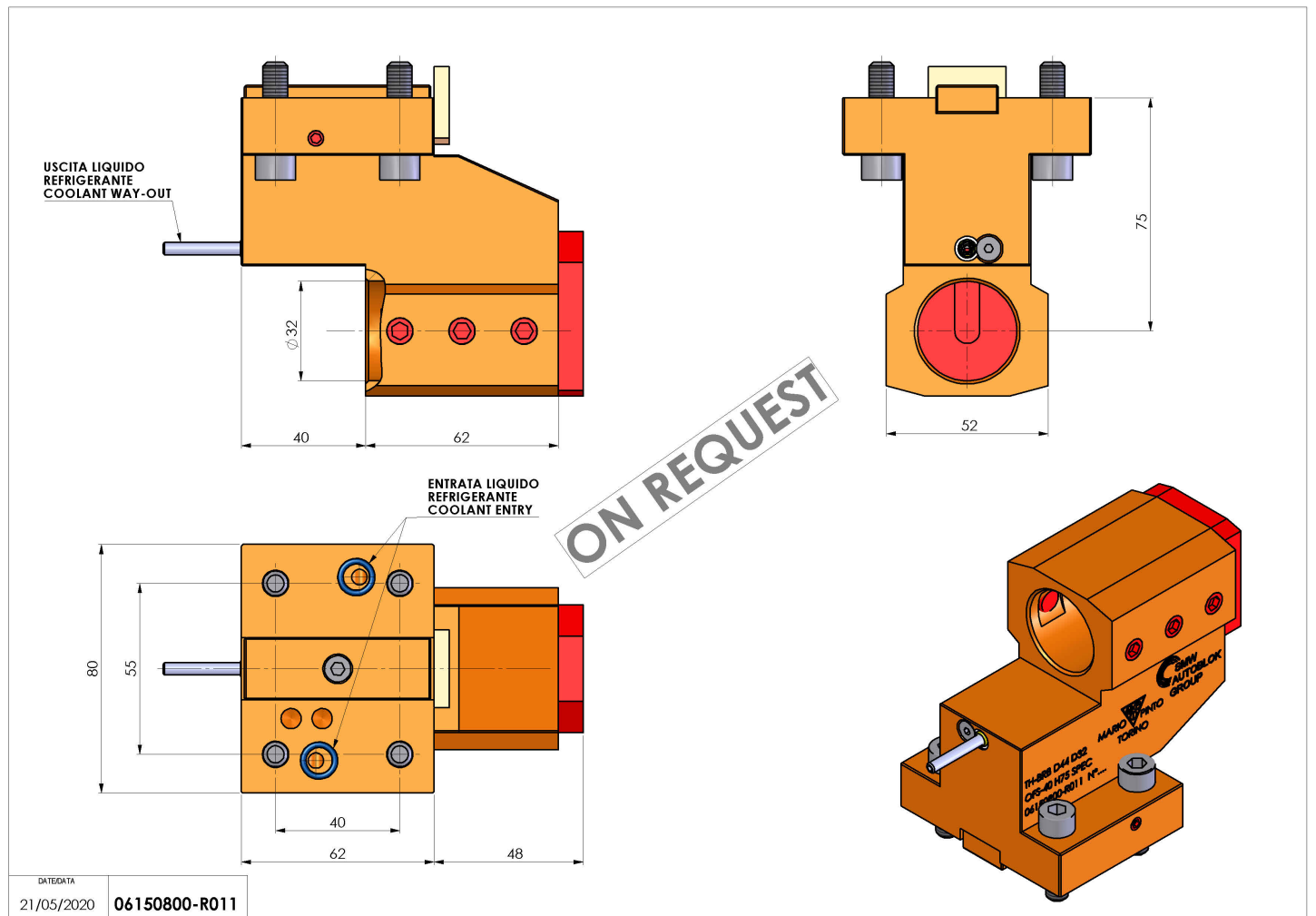
06150800 - TH-BRB D44 D32 OFS-40 H75 SPEC

Type	TH-BRB Boring bar holder
Mounting	CYLINDRICAL SHANK 44
Tool output	Boring Bar Holder 32
Coolant	External / Internal coolant
H [mm]	75
Accessories	N.A.
Notes	N.A.
Mounting tips	Not suitable for every application, please check



ON REQUEST

Always check live tool dimensions on the turret



Subject to technical changes