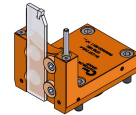


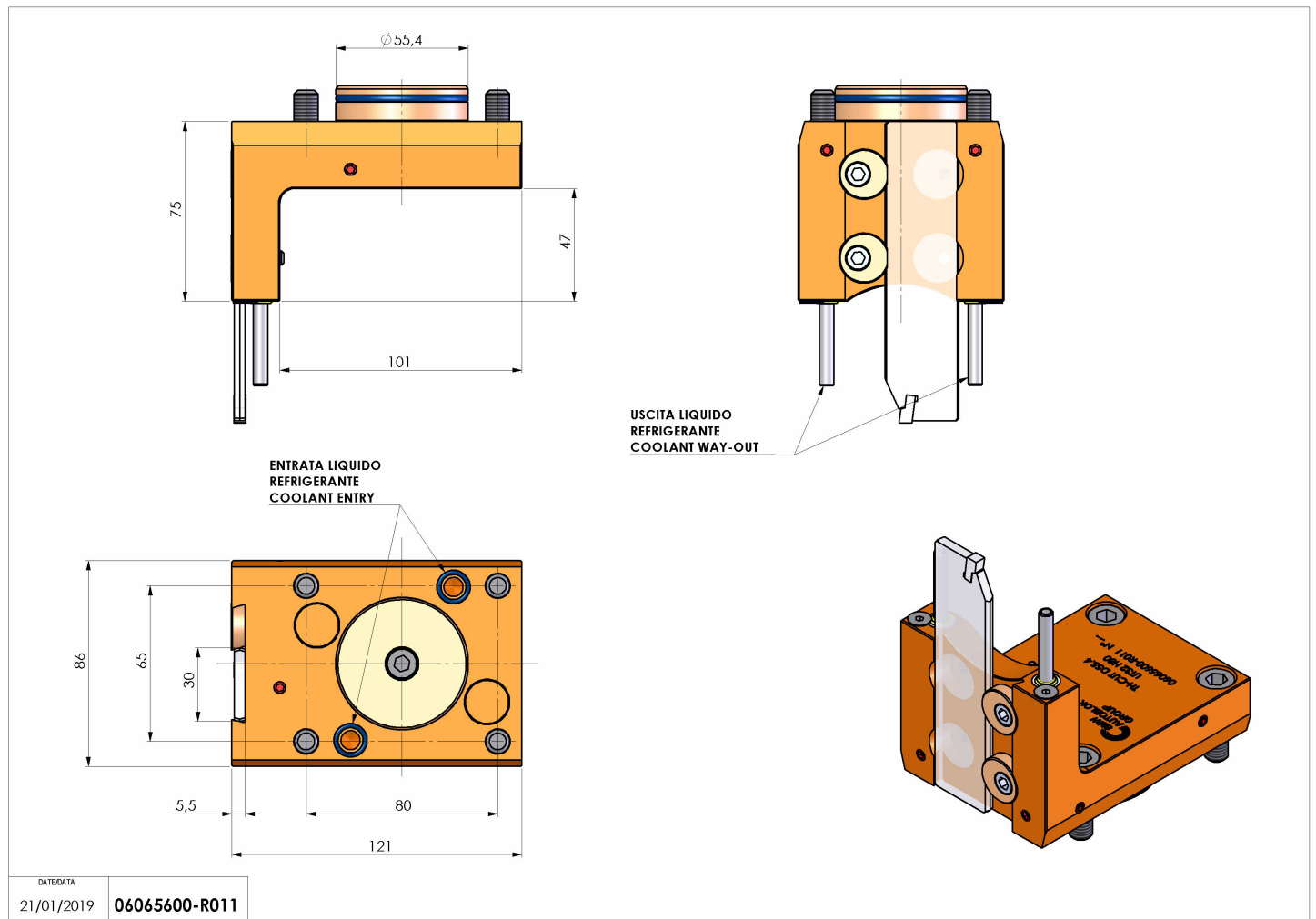
06065600 - TH-CUT D55,4 UT32 L-R H75

Type	TH-CUT Cutting holder
Mounting	CYLINDRICAL SHANK 55,4
Tool output	Cut Off Holder 32
Coolant	External coolant
H [mm]	75



Accessories	N.A.
Notes	N.A.
Mounting tips	Not suitable for every application, please check

Always check live tool dimensions on the turret



Dimensions:

- Shank diameter: $\varnothing 55,4$
- Total height: 75
- Bottom flange thickness: 47
- Bottom flange diameter: 101
- Top flange diameter: 121
- Top flange thickness: 86
- Top flange hole diameter: 65
- Top flange hole offset: 30
- Top flange hole diameter: 5,5
- Top flange hole diameter: 80

Labels:

- ENTRATA LIQUIDO REFRIGERANTE / COOLANT ENTRY
- USCITA LIQUIDO REFRIGERANTE / COOLANT WAY-OUT

Technical Data:

DATE/DATA	21/01/2019
Part Number	06065600-R011

Subject to technical changes