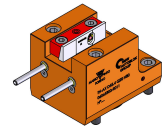
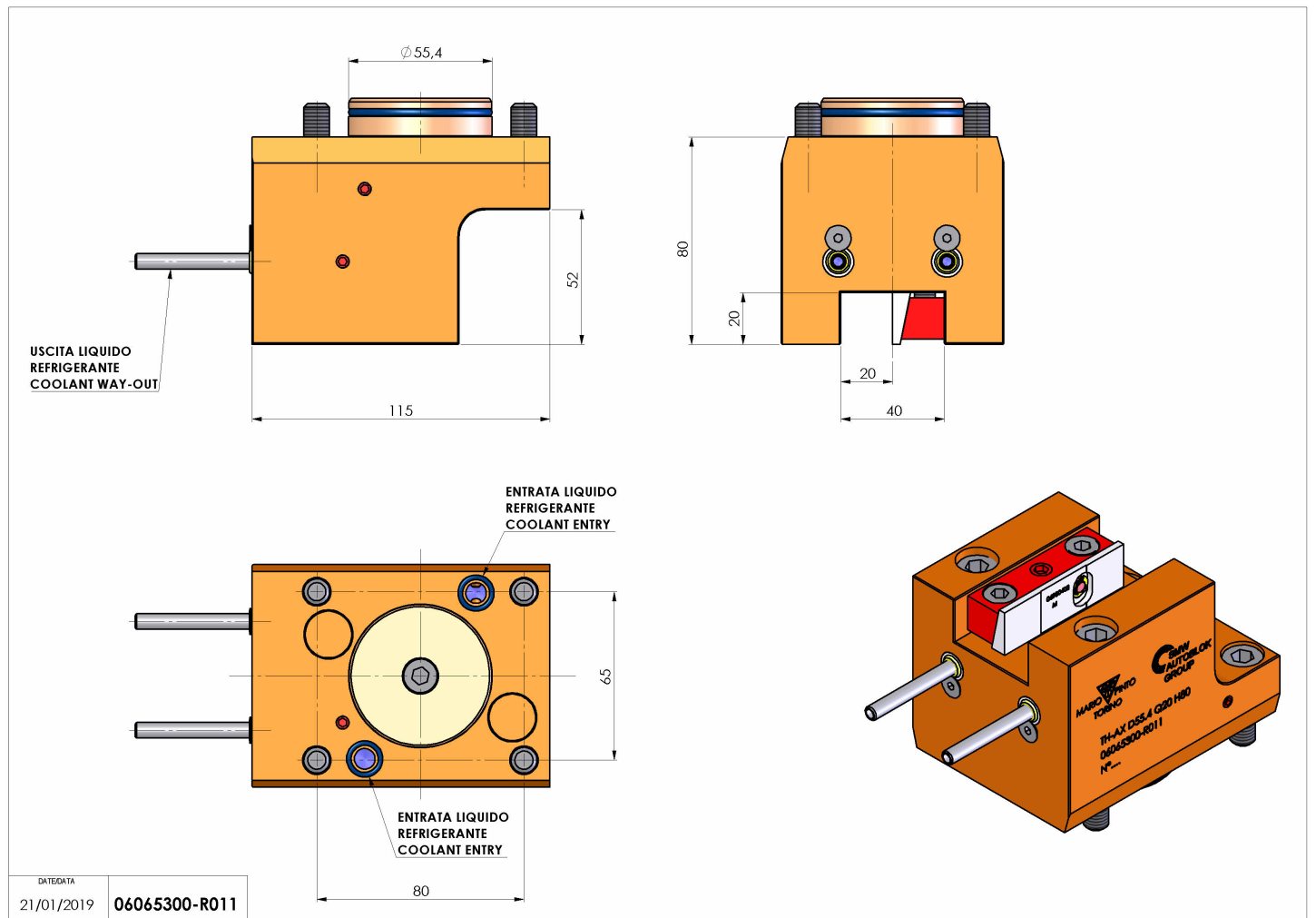


06065300 - TH-AX D55,4 Q20 H80

Type	TH-AX Axial Tool holder
Mounting	CYLINDRICAL SHANK 55,4
Tool output	Radial Square Tool Holder 20x20
Coolant	External coolant
H [mm]	80
Accessories	N.A.
Notes	N.A.
Mounting tips	Not suitable for every application, please check



Always check live tool dimensions on the turret



Subject to technical changes