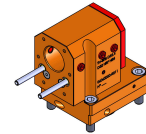


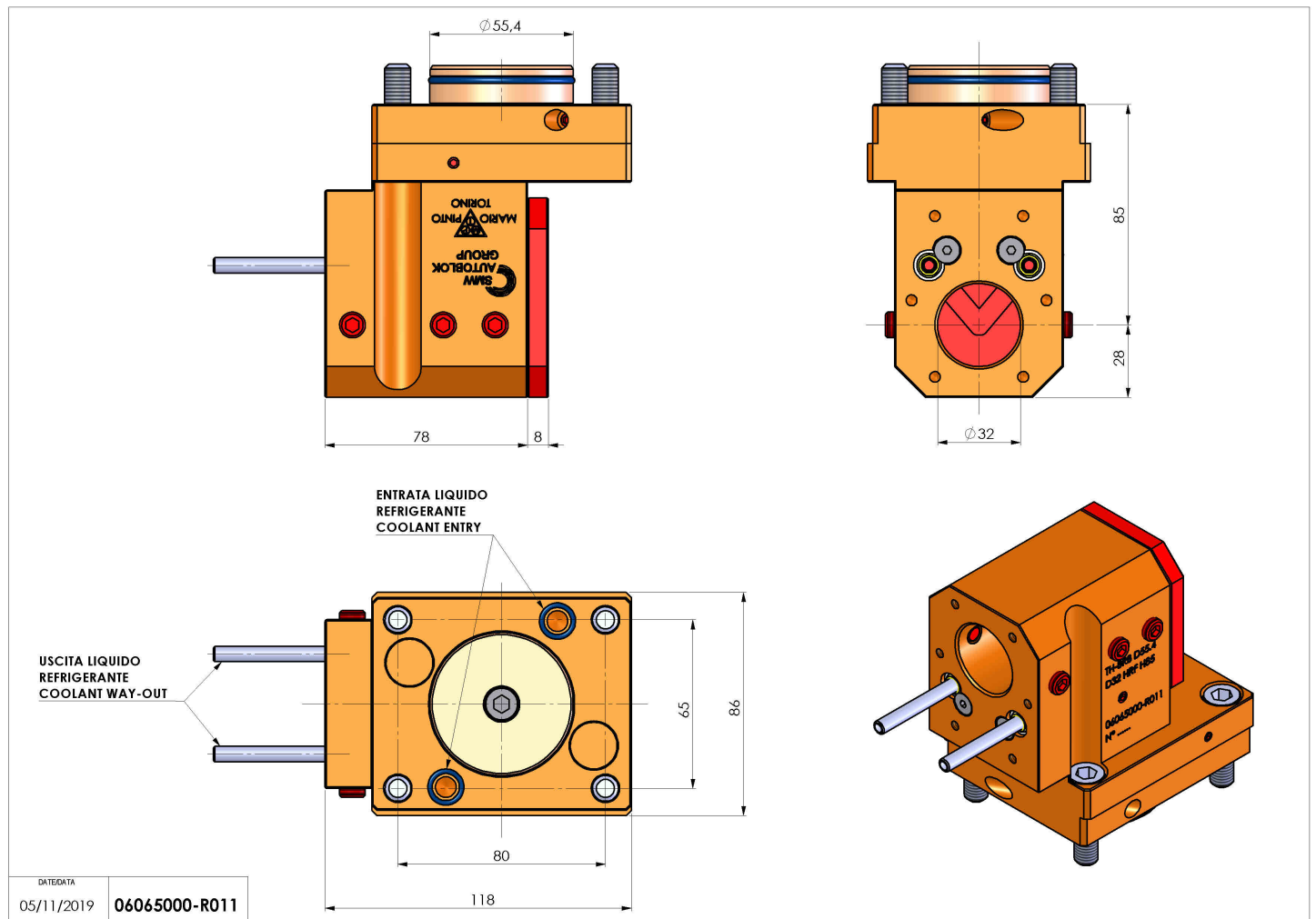
# 06065000 - TH BRB D55.4 D32 HRF H85

<b>Type</b>	TH-BRB Boring bar holder
<b>Mounting</b>	CYLINDRICAL SHANK 55,4
<b>Tool output</b>	Boring Bar Holder 32
<b>Coolant</b>	HP Internal/external coolant
<b>H [mm]</b>	85



<b>Accessories</b>	N.A.
<b>Notes</b>	N.A.
<b>Mounting tips</b>	Not suitable for every application, please check

Always check live tool dimensions on the turret



Subject to technical changes