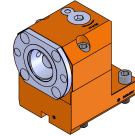
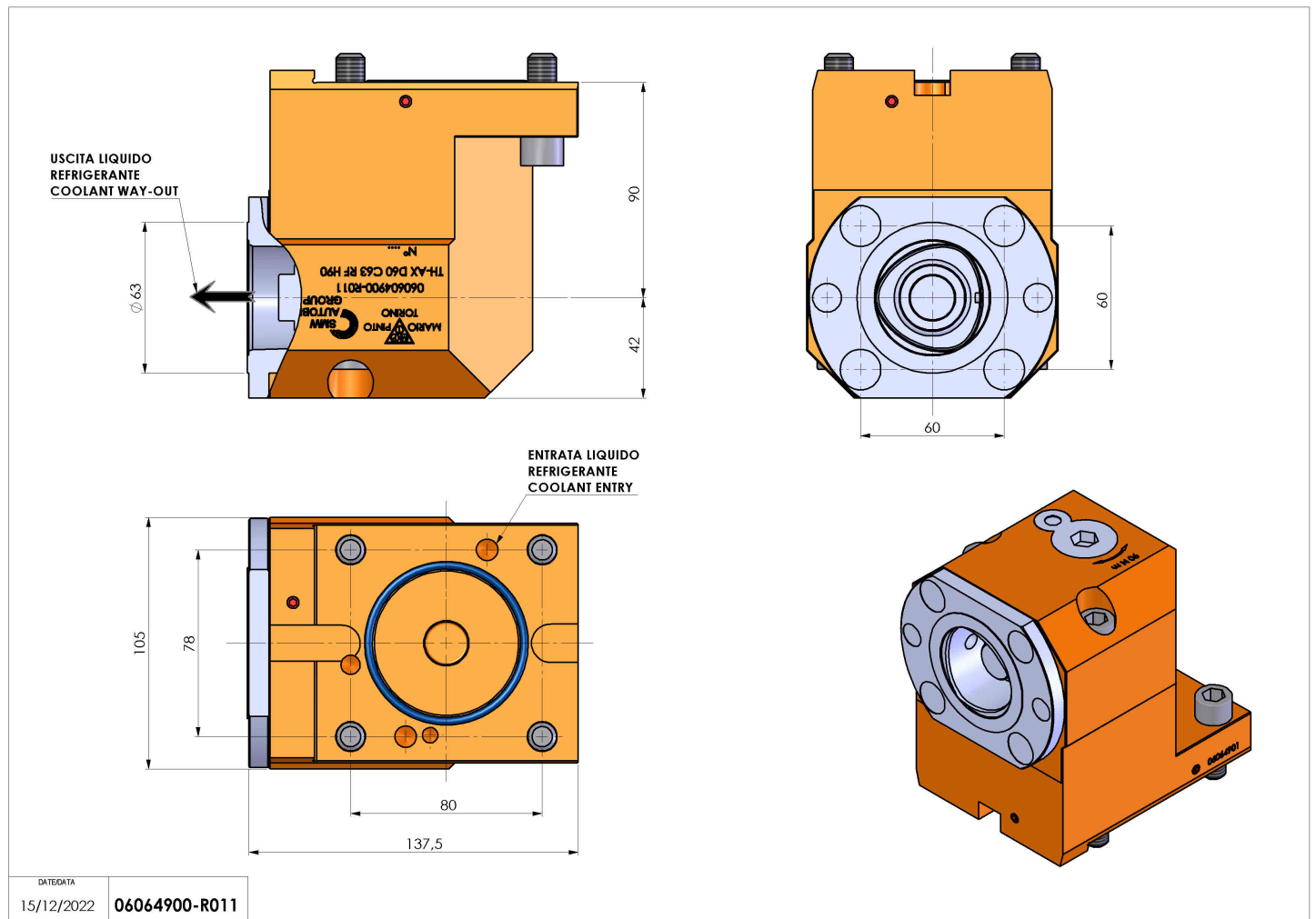


# 06064900 - TH-AX D60 C63 RF H90

<b>Type</b>	TH-AX Axial Tool holder
<b>Mounting</b>	CYLINDRICAL SHANK 60
<b>Tool output</b>	Polygonal shank C63 ISO 26623-1
<b>Coolant</b>	Internal coolant
<b>H [mm]</b>	90
<b>Accessories</b>	N.A.
<b>Notes</b>	N.A.
<b>Mounting tips</b>	Not suitable for every application, please check



Always check live tool dimensions on the turret



Subject to technical changes