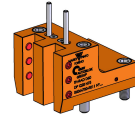


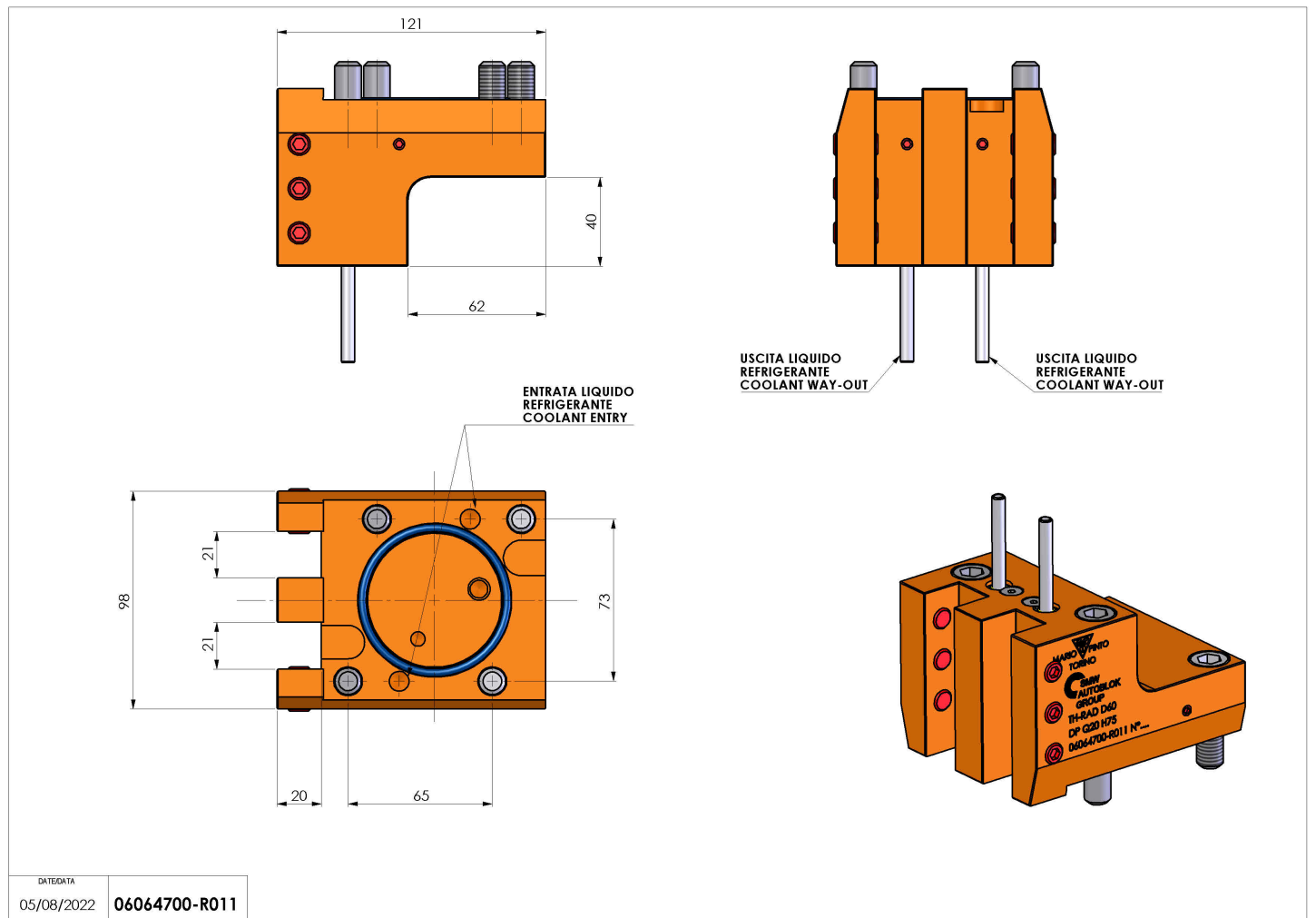
06064700 - TH-RAD D60 DP Q20 H75

Type	TH-RAD Radial Tool holder
Mounting	CYLINDRICAL SHANK 60
Tool output	Radial Square Tool Holder 20x20
Coolant	External coolant
H [mm]	75



Accessories	N.A.
Notes	N.A.
Mounting tips	Not suitable for every application, please check

Always check live tool dimensions on the turret



DATE/DATE	05/08/2022	06064700-R011
-----------	------------	---------------

Subject to technical changes