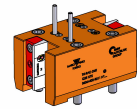


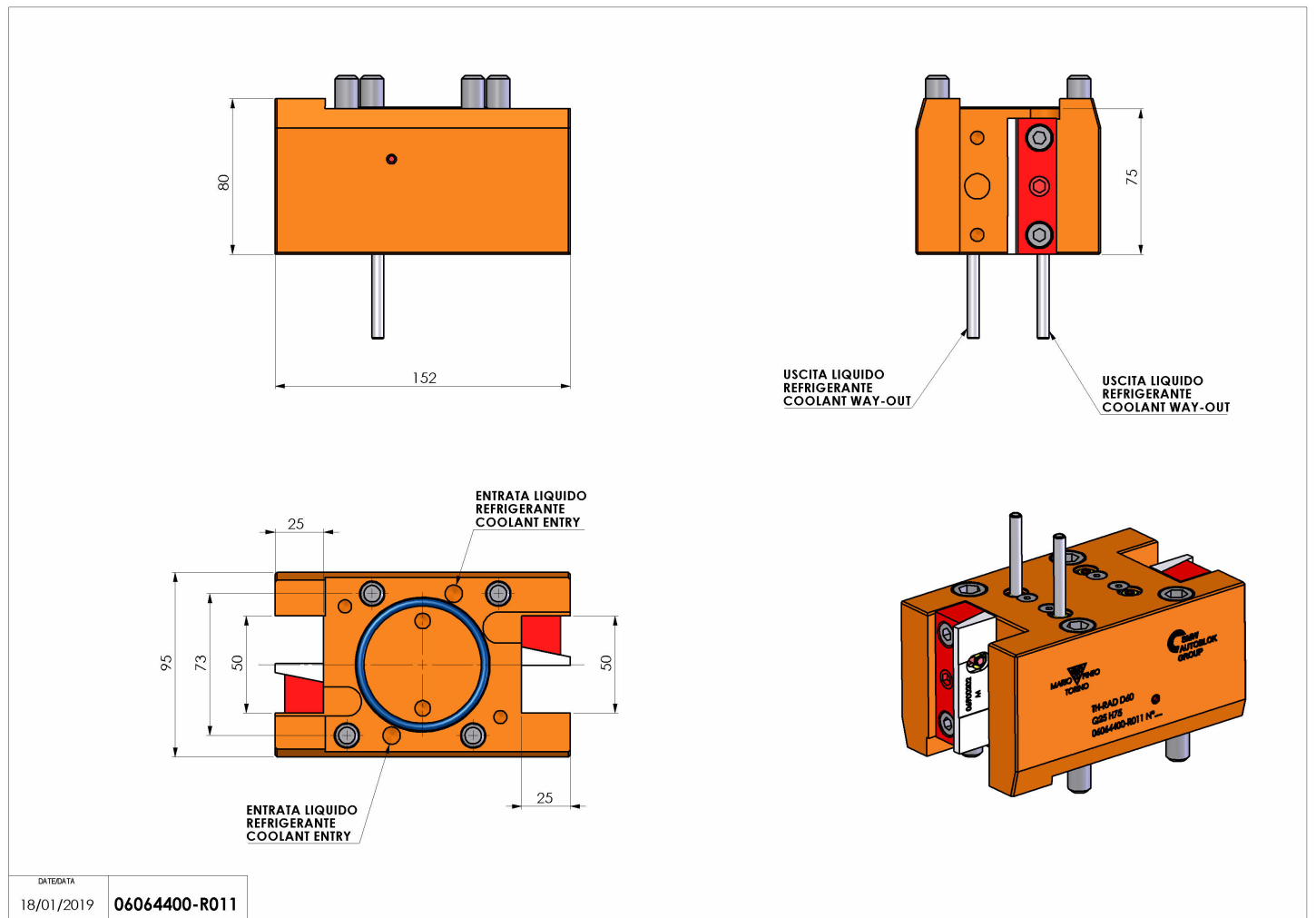
06064400 - TH-RAD D60 Q25 L-R H75

| | |
|-------------|---------------------------------|
| Type | TH-RAD Radial Tool holder |
| Mounting | CYLINDRICAL SHANK 60 |
| Tool output | Radial Square Tool Holder 25x25 |
| Coolant | External coolant |
| H [mm] | 75 |



| | |
|---------------|--|
| Accessories | N.A. |
| Notes | N.A. |
| Mounting tips | Not suitable for every application, please check |

Always check live tool dimensions on the turret



| | | |
|-----------|------------|---------------|
| DATE/DATE | 18/01/2019 | 06064400-R011 |
|-----------|------------|---------------|

Subject to technical changes