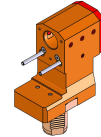


06058400 - TH-BRB VDI40 D32 MS H123

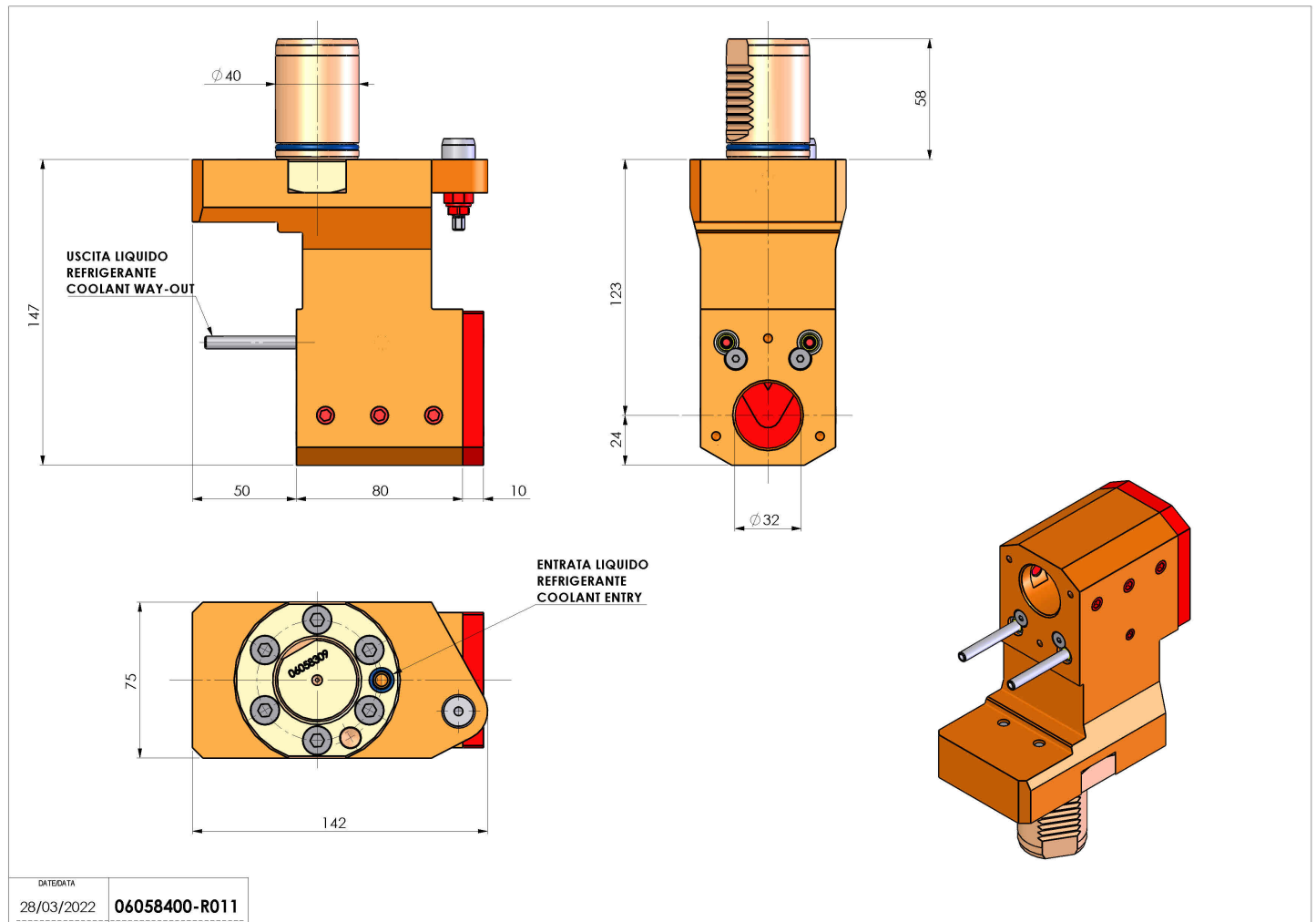
| | |
|-------------|-----------------------------|
| Type | TH-BRB Boring bar holder |
| Mounting | VDI 40 |
| Tool output | Boring Bar Holder 32 |
| Coolant | External / Internal coolant |
| H [mm] | 123 |



| | |
|---------------|--|
| Accessories | N.A. |
| Notes | N.A. |
| Mounting tips | Not suitable for every application, please check |

ATTENZIONE: VERIFICARE L'ORIENTAMENTO DELLA DENTATURA VDI

Always check live tool dimensions on the turret



Subject to technical changes