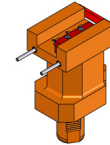


## 06054700 - TH-AX VDI50 H165 DX-SX MZ

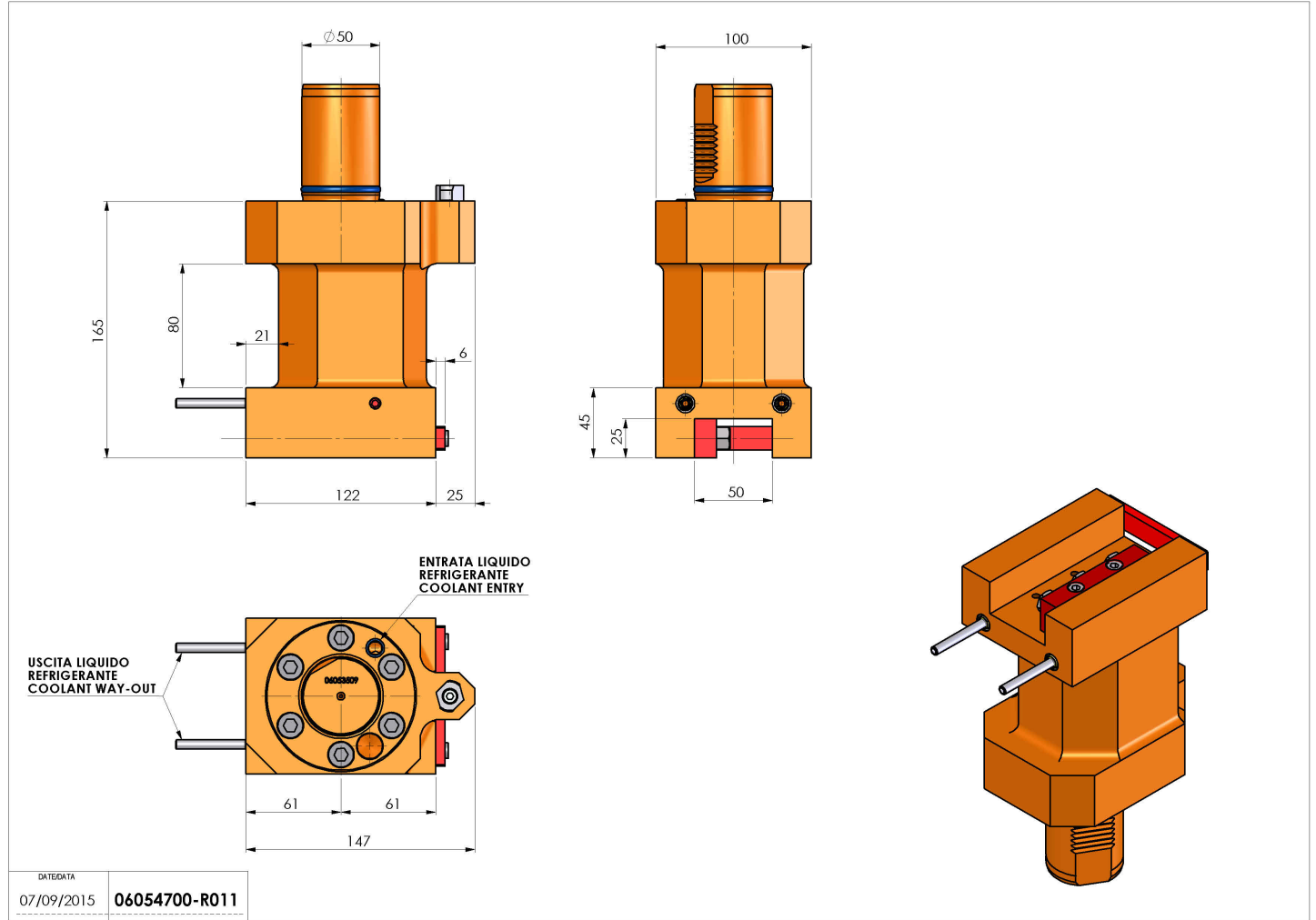
<b>Type</b>	TH-AX Axial Tool holder
<b>Mounting</b>	VDI 50
<b>Tool output</b>	Axial Square Tool Holder 25x25
<b>Coolant</b>	External coolant
<b>H [mm]</b>	165



<b>Accessories</b>	N.A.
<b>Notes</b>	N.A.
<b>Mounting tips</b>	Not suitable for every application, please check

**ATTENZIONE: VERIFICARE L'ORIENTAMENTO DELLA DENTATURA VDI**

Always check live tool dimensions on the turret



DATE/DATA: 07/09/2015  
**06054700-R011**

Subject to technical changes