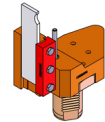


## 06052300 - TH-CUT VDI40 SP5 H90 MZ

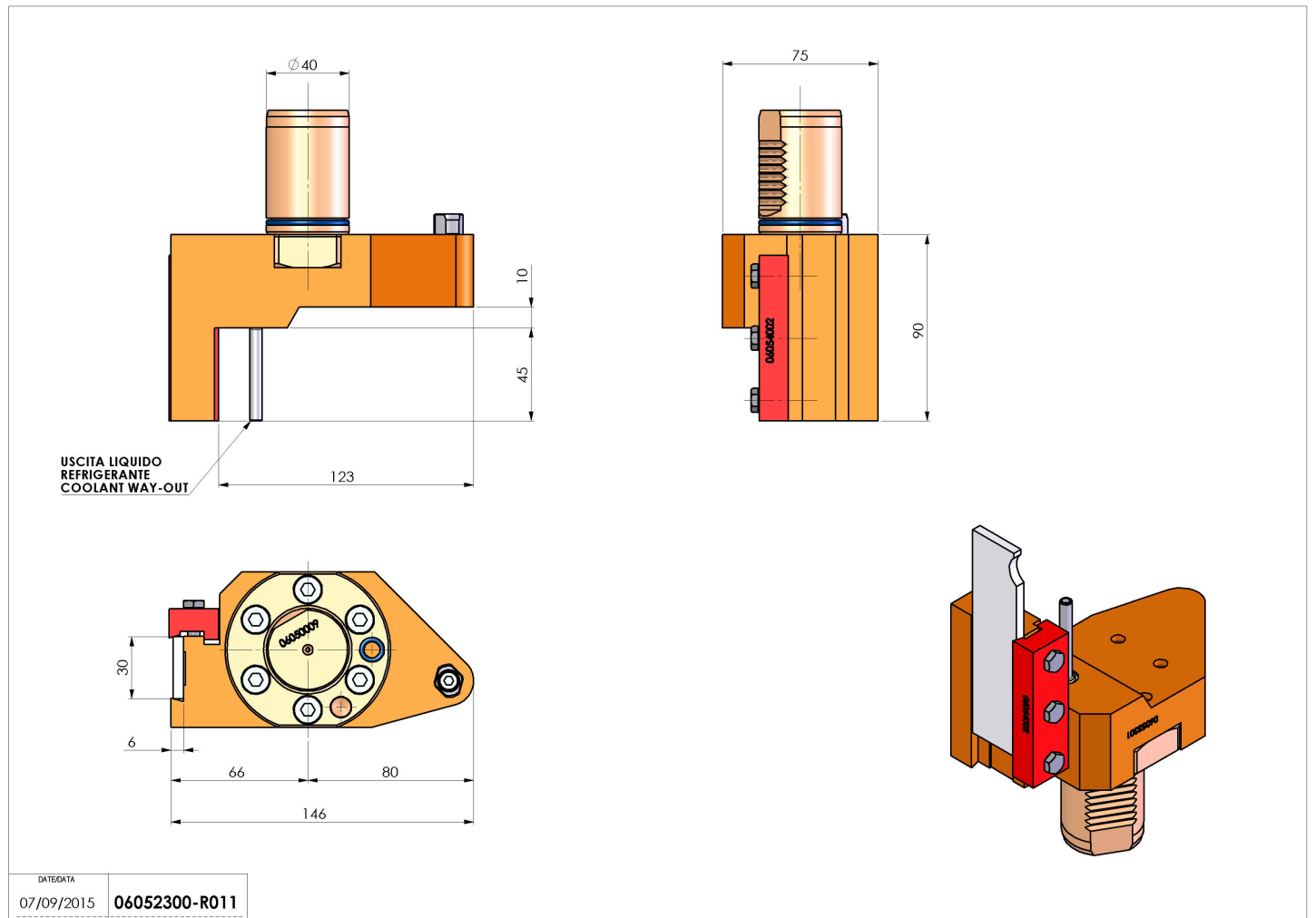
Type	TH-CUT Cutting holder
Mounting	VDI 40
Tool output	Cut Off Holder 32
Coolant	External coolant
H [mm]	90



Accessories	N.A.
Notes	N.A.
Mounting tips	Not suitable for every application, please check

**ATTENZIONE: VERIFICARE L'ORIENTAMENTO DELLA DENTATURA VDI**

Always check live tool dimensions on the turret



Subject to technical changes