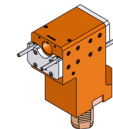


# 06051600 - TH-BRB VDI40 D25 H152-122 RFMZ

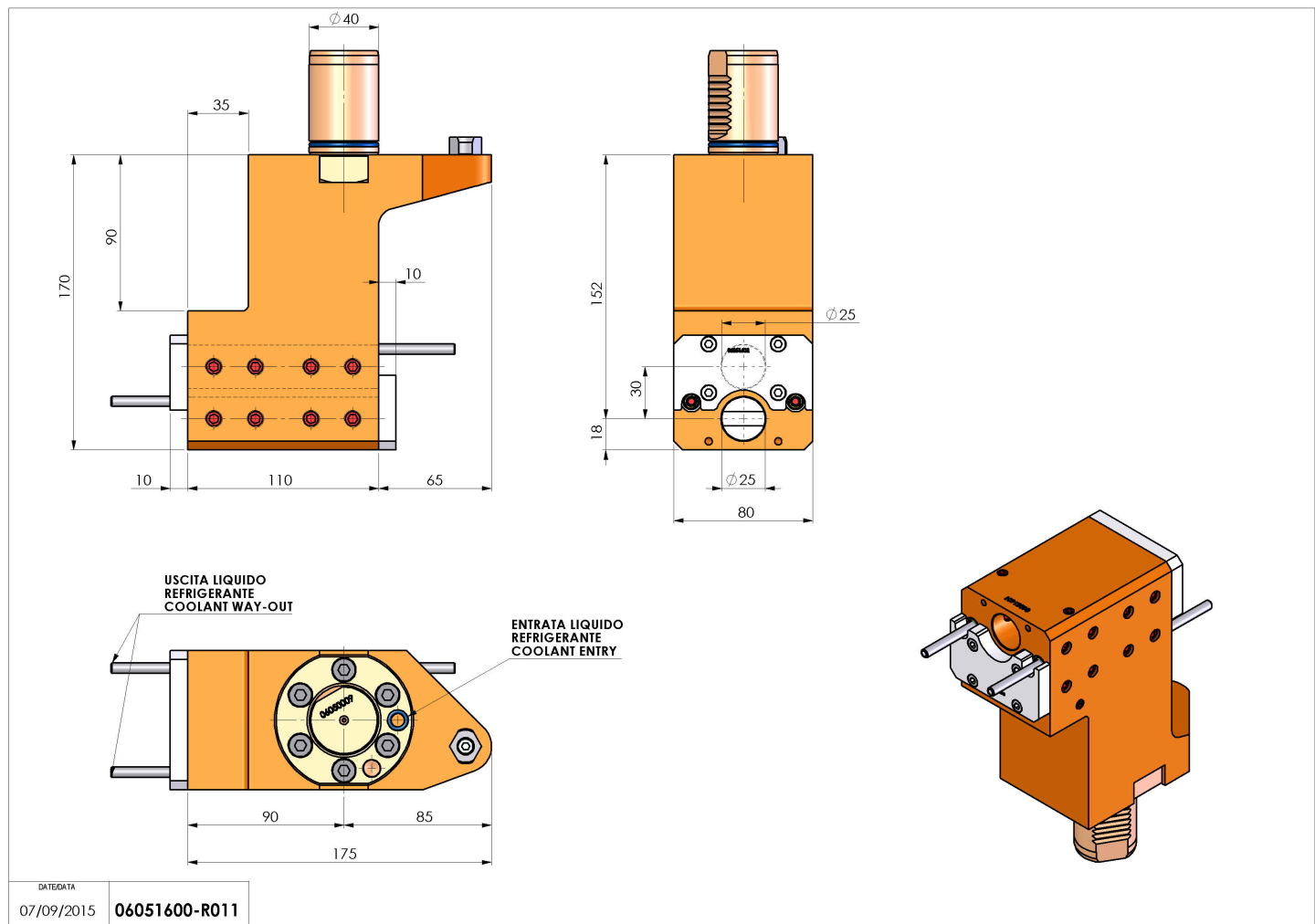
<b>Type</b>	TH-BRB Boring bar holder
<b>Mounting</b>	VDI 40
<b>Tool output</b>	Boring Bar Holder 25
<b>Coolant</b>	External / Internal coolant
<b>H [mm]</b>	152-122



<b>Accessories</b>	N.A.
<b>Notes</b>	N.A.
<b>Mounting tips</b>	Not suitable for every application, please check

**ATTENZIONE: VERIFICARE L'ORIENTAMENTO DELLA DENTATURA VDI**

Always check live tool dimensions on the turret



DATE/DATE	07/09/2015
	06051600-R011

Subject to technical changes