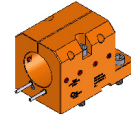


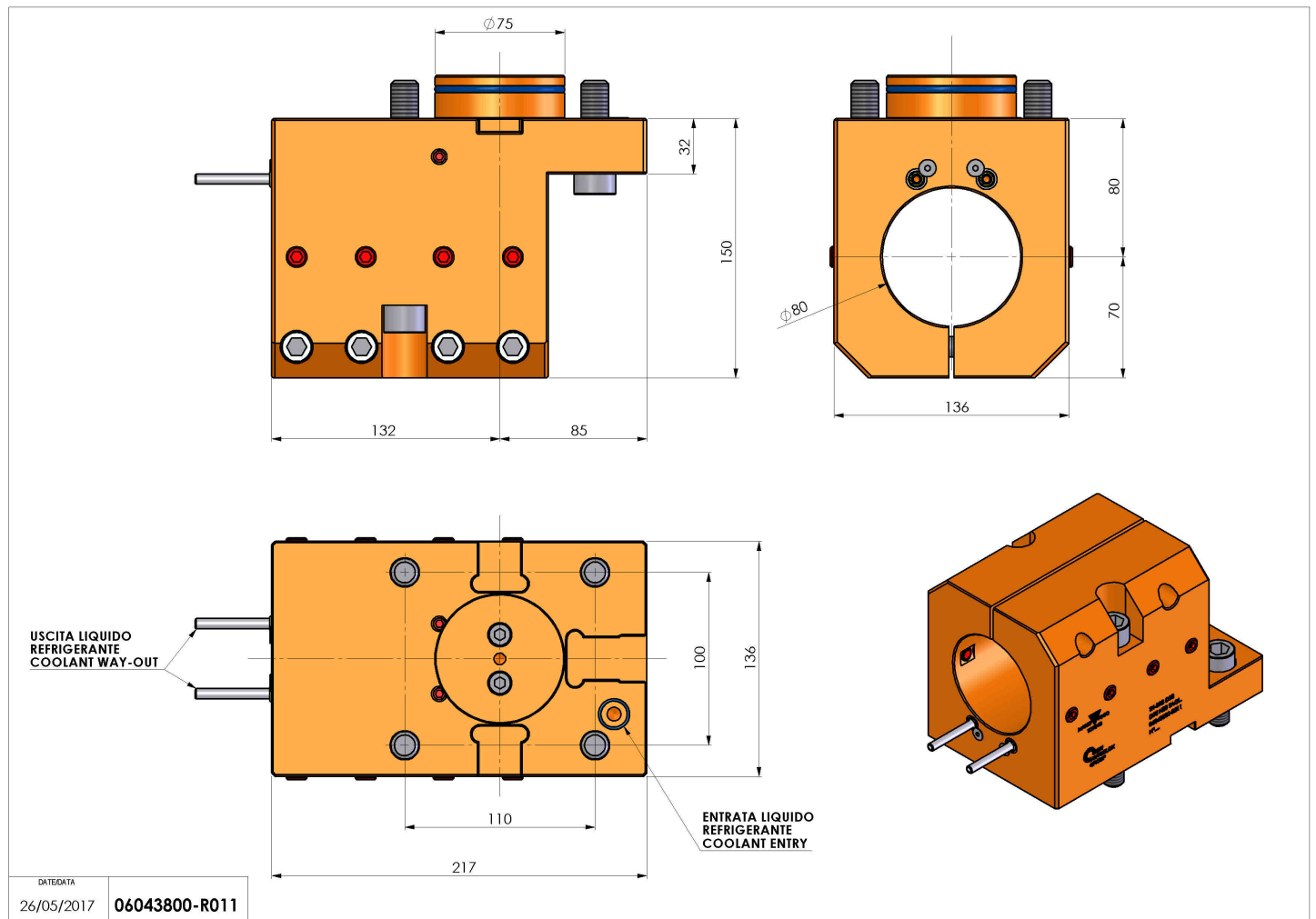
# 06043800 - TH-BRB D75 D80 H80 TAGL

Type	TH-BRB Boring bar holder
Mounting	CYLINDRICAL SHANK 75
Tool output	Boring Bar Holder 80
Coolant	External coolant
H [mm]	80



Accessories	N.A.
Notes	N.A.
Mounting tips	Not suitable for every application, please check

Always check live tool dimensions on the turret



DATE/DATE: 26/05/2017  
**06043800-R011**

Subject to technical changes