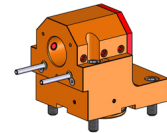
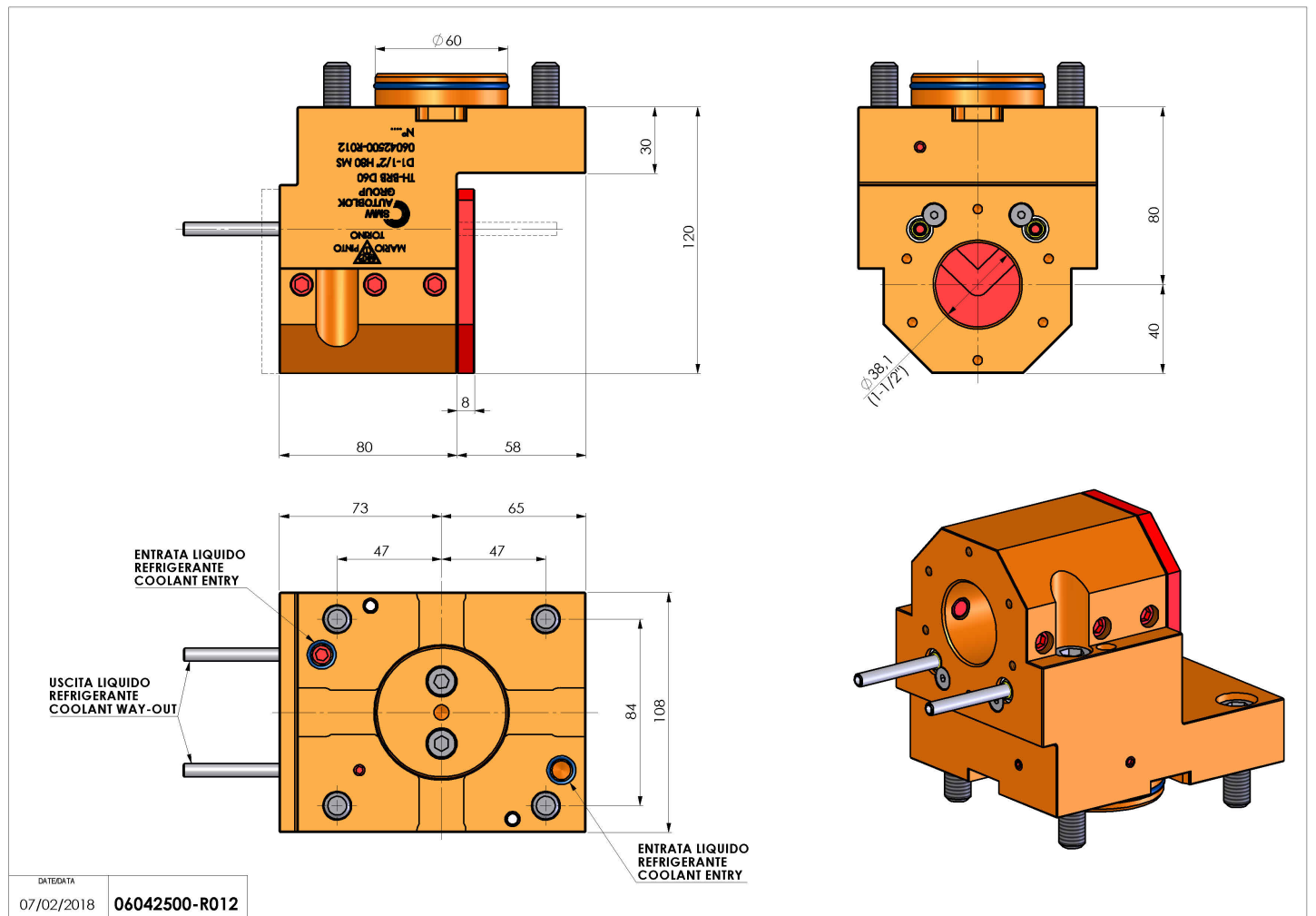


## 06042500 - TH-BRB D60 D1-1/2" H80 MS

Type	TH-BRB Boring bar holder
Mounting	CYLINDRICAL SHANK 60
Tool output	Boring Bar Holder 1-1/2"
Coolant	External / Internal coolant
H [mm]	80
Accessories	N.A.
Notes	N.A.
Mounting tips	Not suitable for every application, please check



Always check live tool dimensions on the turret



Subject to technical changes