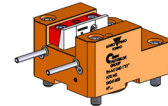


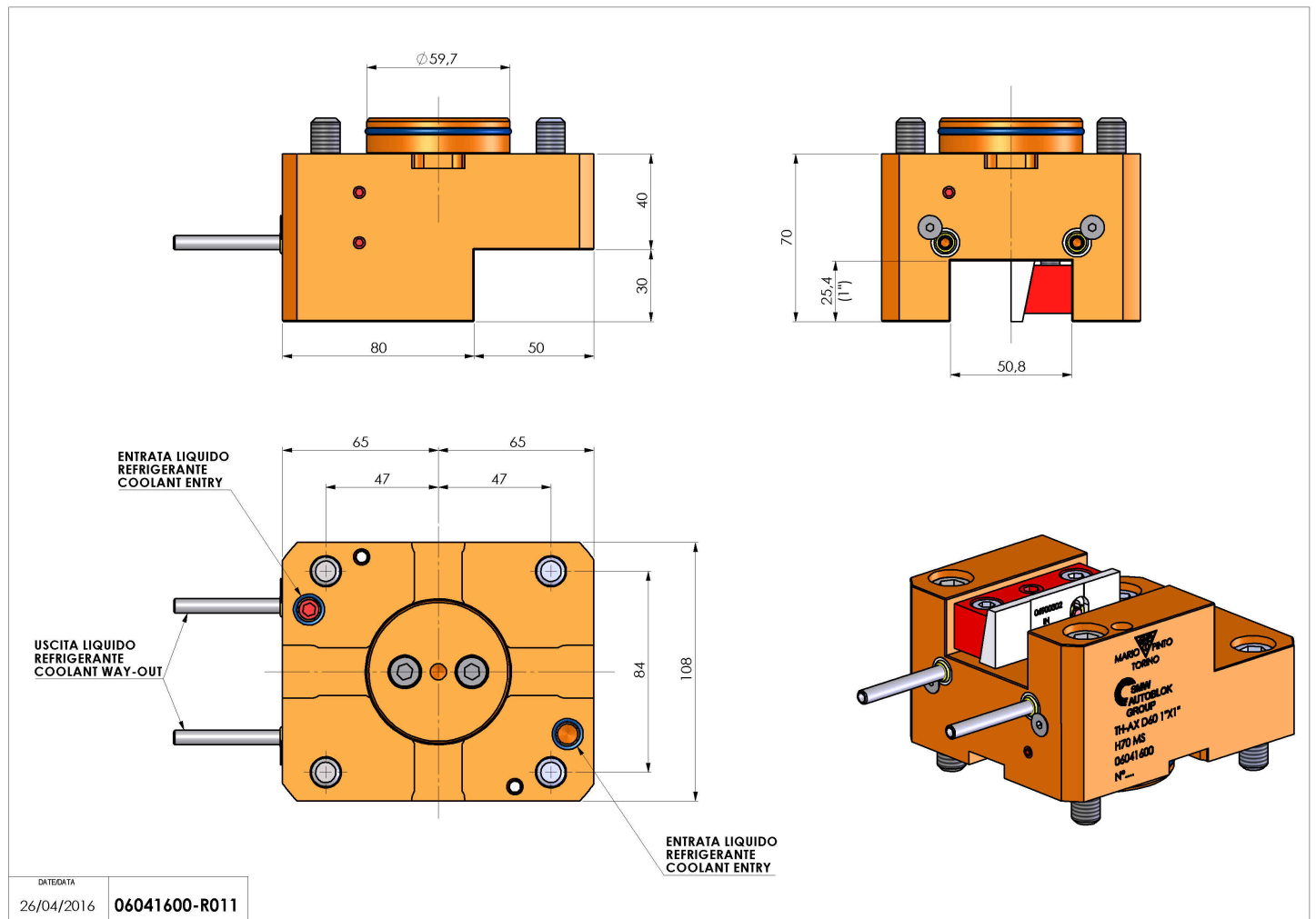
06041600 - TH-AX D60 1"X1" H70 MS

Type	TH-AX Axial Tool holder
Mounting	CYLINDRICAL SHANK 60
Tool output	Axial Square Tool Holder 1"x 1"
Coolant	External coolant
H [mm]	70



Accessories	N.A.
Notes	N.A.
Mounting tips	Not suitable for every application, please check

Always check live tool dimensions on the turret



DATE/DATE	26/04/2016	06041600-R011
-----------	------------	---------------

Subject to technical changes