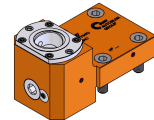


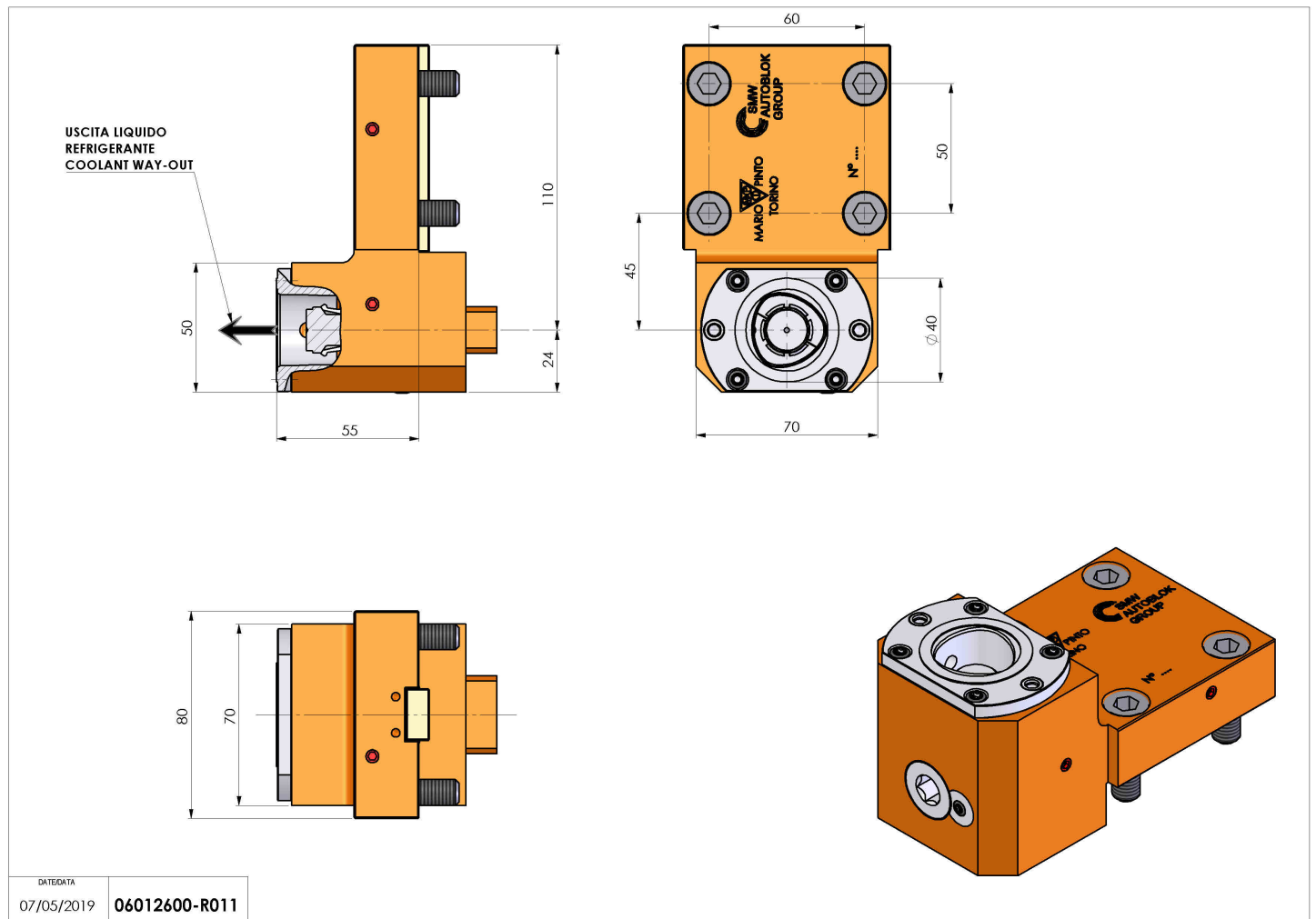
06012600 - TH-RAD D55 C40 OFS70 H55

| | |
|--------------------|---------------------------------|
| Type | TH-RAD Radial Tool holder |
| Mounting | CYLINDRICAL SHANK 55 |
| Tool output | Polygonal shank C40 ISO 26623-1 |
| Coolant | Internal coolant |
| H [mm] | 55 |



| | |
|----------------------|--|
| Accessories | N.A. |
| Notes | N.A. |
| Mounting tips | Not suitable for every application, please check |

Always check live tool dimensions on the turret



| | | |
|-----------|------------|---------------|
| DATE/DATE | 07/05/2019 | 06012600-R011 |
|-----------|------------|---------------|

Subject to technical changes