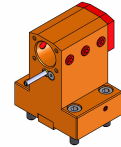
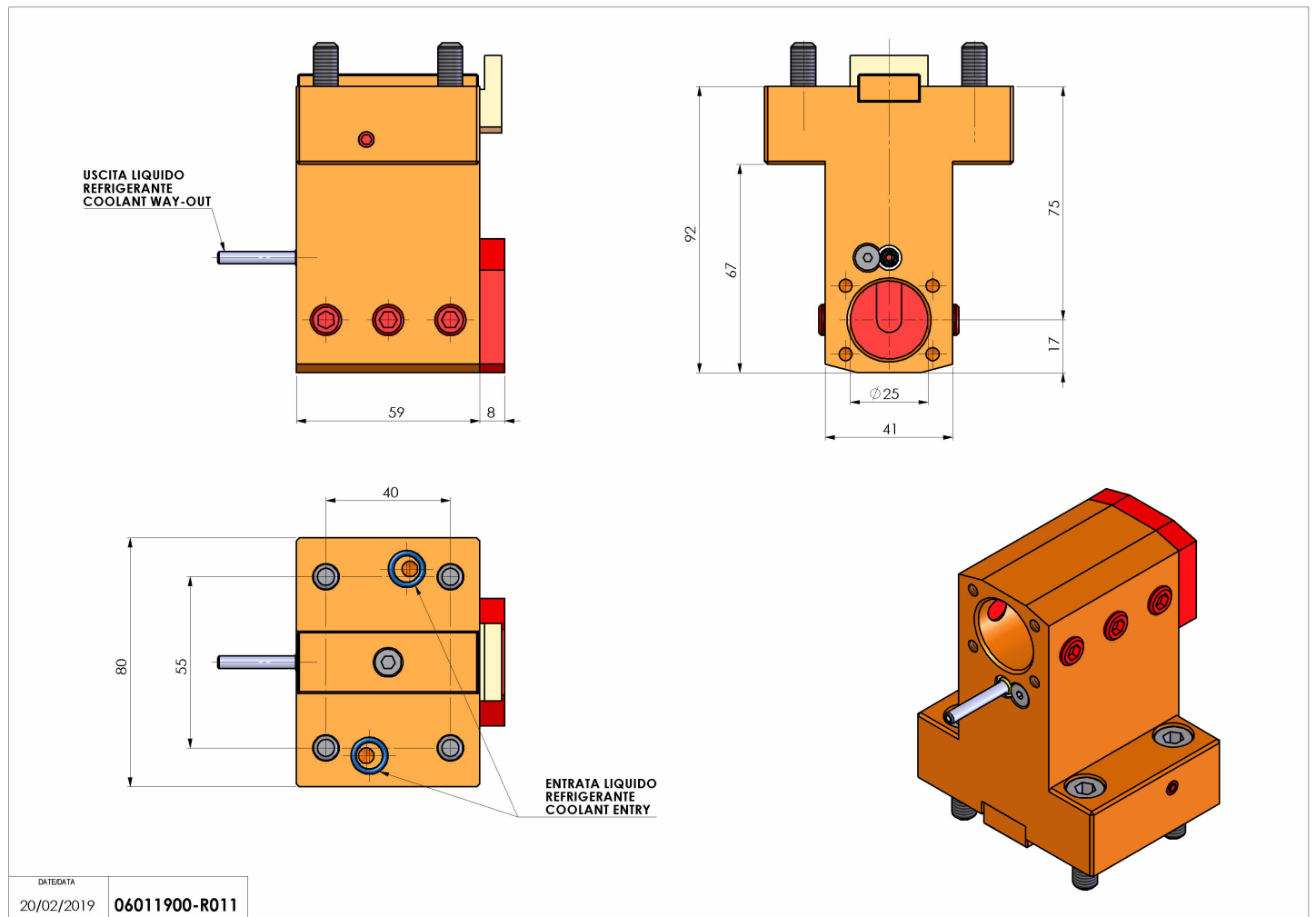


## 06011900 - TH-BRB D44 D25 H75 L59 NK

Type	TH-BRB Boring bar holder
Mounting	CYLINDRICAL SHANK 44
Tool output	Boring Bar Holder 25
Coolant	External / Internal coolant
H [mm]	75
Accessories	N.A.
Notes	N.A.
Mounting tips	Not suitable for every application, please check



Always check live tool dimensions on the turret



DATE/DATE	20/02/2019	06011900-R011
-----------	------------	---------------

Subject to technical changes