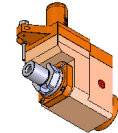


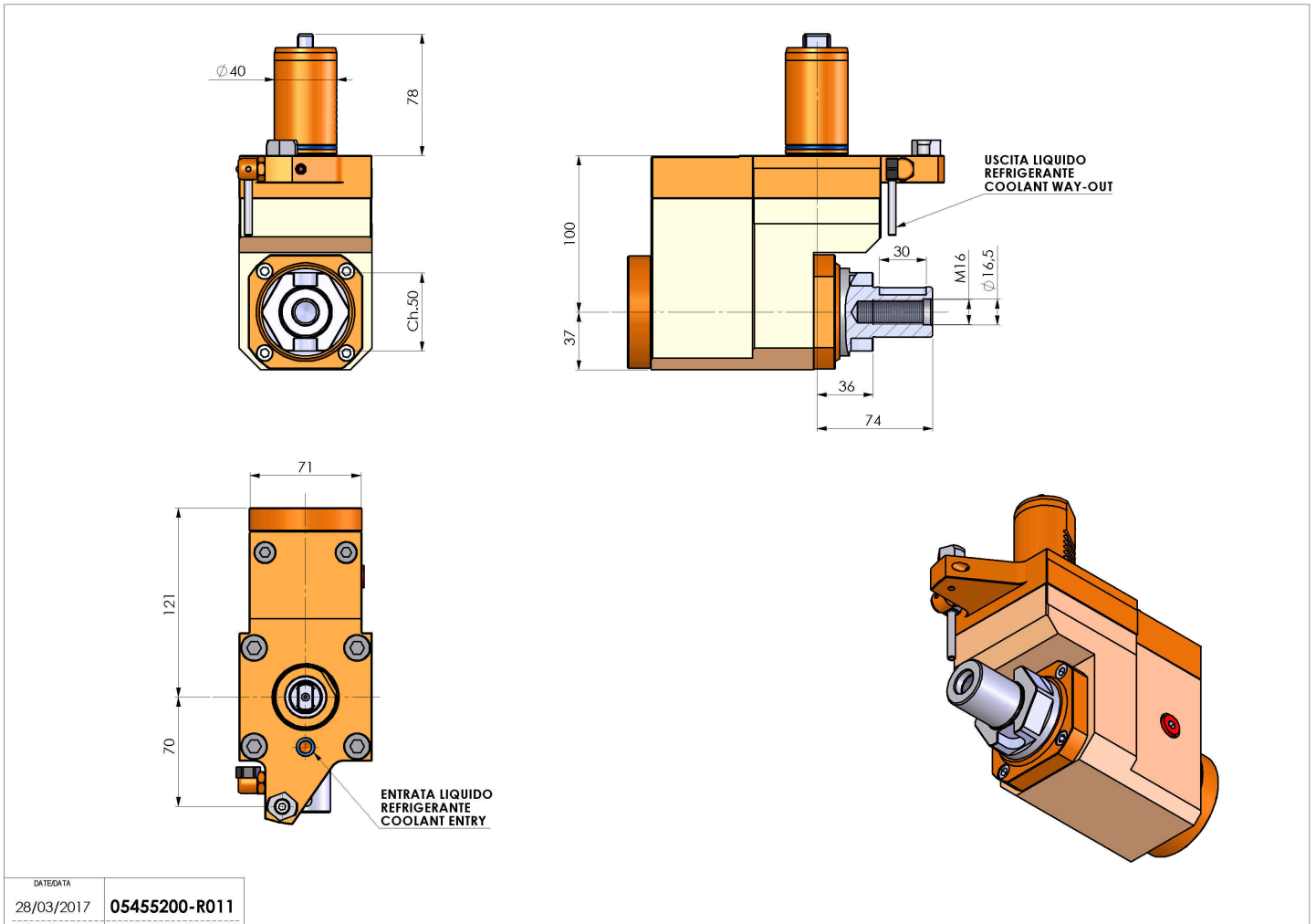
## 05455200 - LT-A VDI40 138-27 R OFS H100

<b>Type</b>	LT-A OFS Tool holder offset angle 90°
<b>Mounting</b>	VDI 40
<b>Tool output</b>	Shell-Mill DIN138 27
<b>Coolant</b>	External coolant
<b>Offset [mm]</b>	31.5
<b>Direction of rotation</b>	r1  r2
<b>Max speed [rpm]</b>	6000
<b>Max torque [Nm]</b>	63
<b>Ratio</b>	1:1
<b>H [mm]</b>	100
<b>H1 [mm]</b>	37
<b>Accessories</b>	N.A.
<b>Notes</b>	N.A.
<b>Mounting tips</b>	Not suitable for every application, please check



**ATTENZIONE: VERIFICARE L'ORIENTAMENTO DELLA DENTATURA VDI**

Always check live tool dimensions on the turret



DATE/GATA	28/03/2017
PART NUMBER	05455200-R011

Subject to technical changes