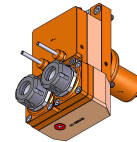
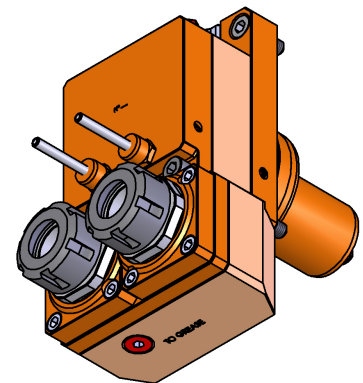
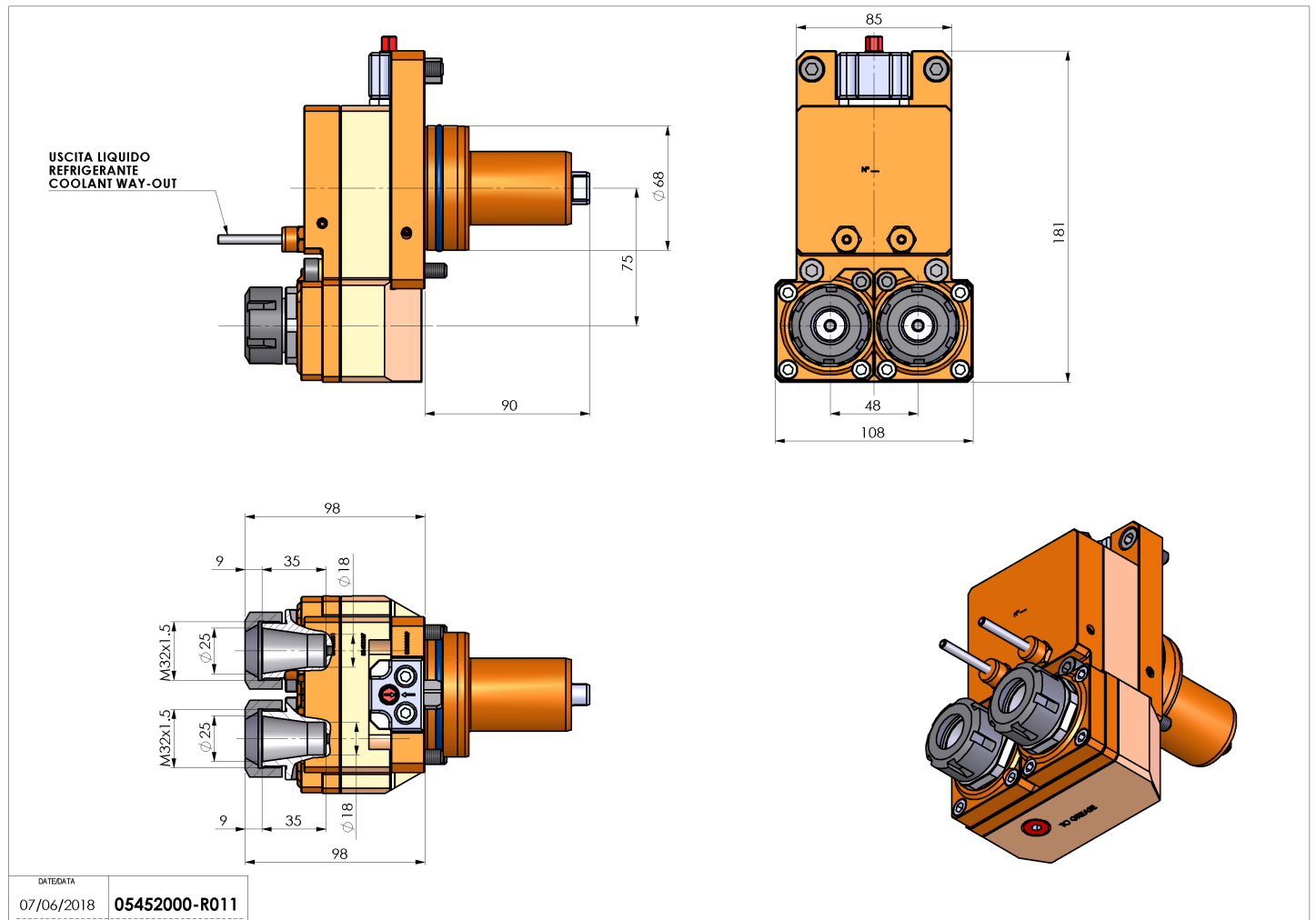


05452000 - LT-S2 D68 ER25 OFS-75 H98

Type	LT-S2 OFS Tool holder double straight offset
Mounting	CYLINDRICAL SHANK 68
Tool output	Collet nut ER 25
Coolant	External coolant
Offset [mm]	75
Direction of rotation	r1 ↻ r2 ↻
Max speed [rpm]	5000
Max torque [Nm]	50
Ratio	1:1
H [mm]	98
Accessories	N.A.
Notes	N.A.
Mounting tips	Not suitable for every application, please check



Always check live tool dimensions on the turret



Subject to technical changes

DATE/DATE	07/06/2018	05452000-R011
-----------	------------	---------------