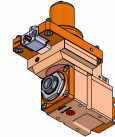
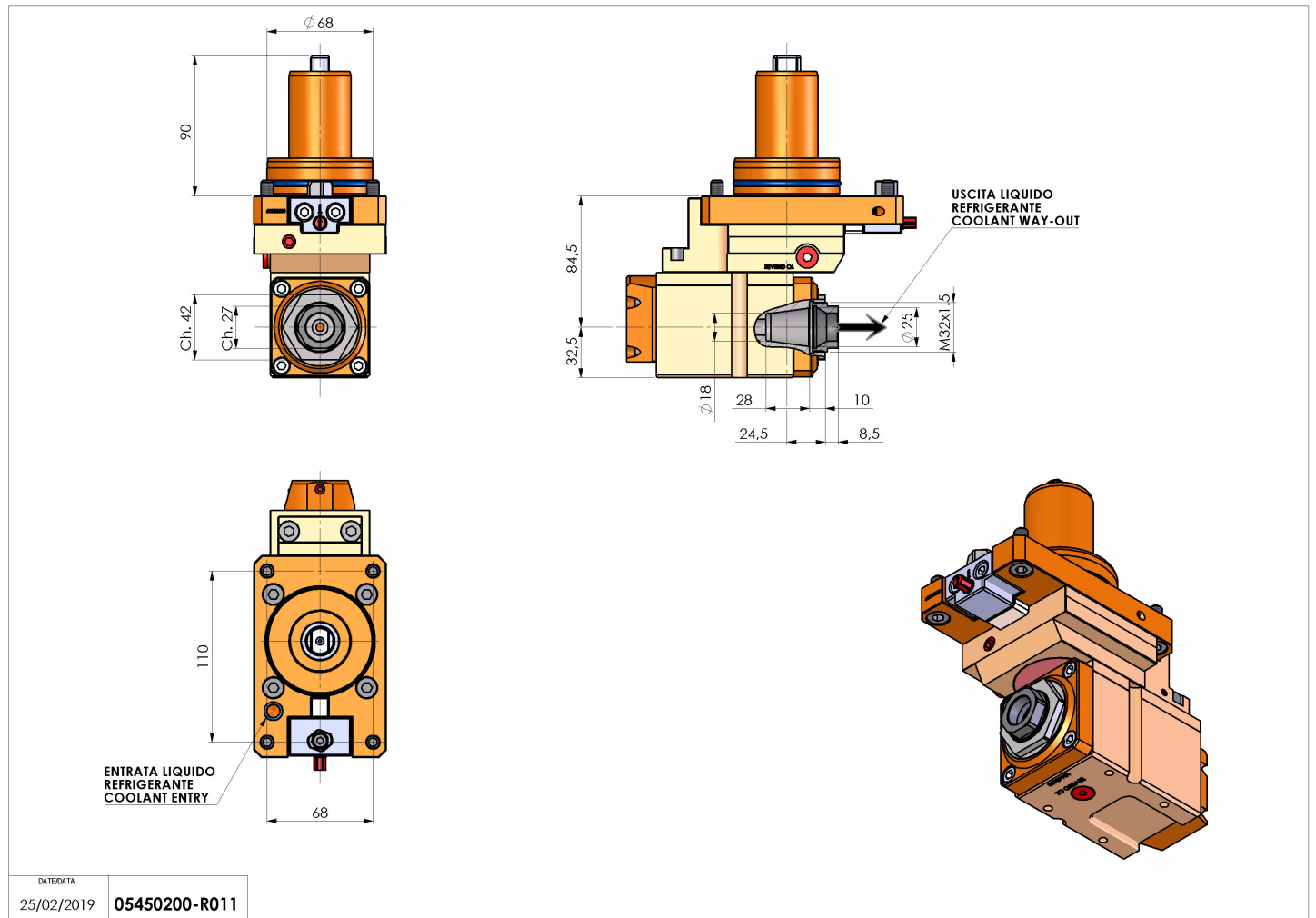


## 05450200 - LT-A D68 ER25F OFS1:1.75S RFHS H84.5

<b>Type</b>	LT-A OFS Tool holder offset angle 90°
<b>Mounting</b>	CYLINDRICAL SHANK 68
<b>Tool output</b>	Collet nut ER 25 F - internal nut
<b>Coolant</b>	Internal coolant
<b>Direction of rotation</b>	r1 ↻ r2 ↻
<b>Max speed [rpm]</b>	10000
<b>Max torque [Nm]</b>	25
<b>Ratio</b>	1:1,75
<b>H [mm]</b>	84,5
<b>H1 [mm]</b>	32,5
<b>Accessories</b>	N.A.
<b>Notes</b>	N.A.
<b>Mounting tips</b>	Not suitable for every application, please check



Always check live tool dimensions on the turret



DATE/DATE  
25/02/2019 05450200-R011

Subject to technical changes