
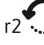
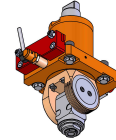
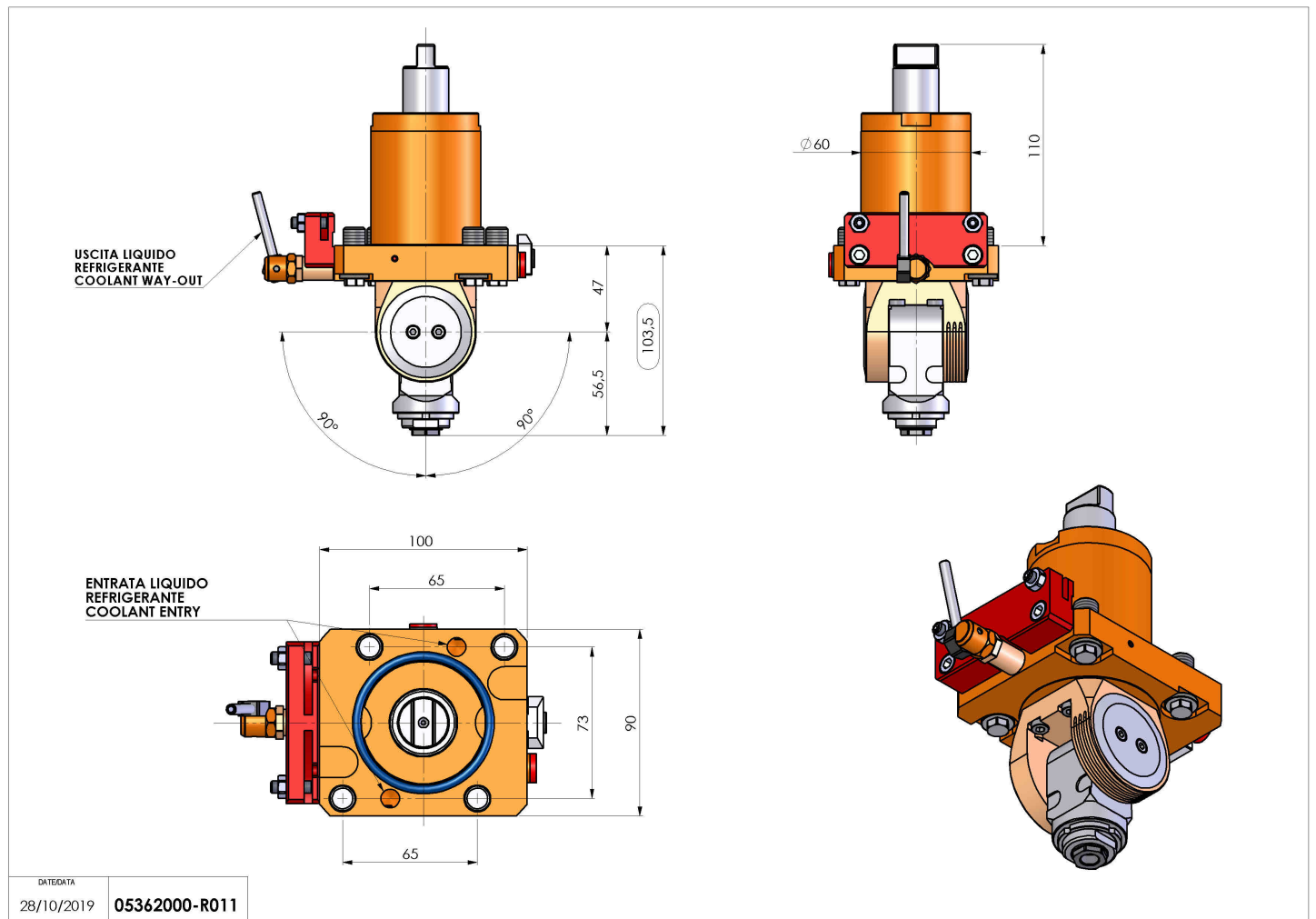


## 05362000 - LT-T D60 ER11F H47-105

|                              |   |
|------------------------------|---|
| <b>Type</b>                  | LT-T<br>Tool holder tiltable  |
| <b>Mounting</b>              | CYLINDRICAL SHANK 60  |
| <b>Tool output</b>           | Collet nut ER 11 F  |
| <b>Coolant</b>               | External coolant  |
| <b>Direction of rotation</b> | r1  r2  |
| <b>Max speed [rpm]</b>       | 6000  |
| <b>Max torque [Nm]</b>       | 5   |
| <b>Ratio</b>                 | 1:1   |
| <b>H [mm]</b>                | 47-105  |
| <b>Accessories</b>           | N.A.  |
| <b>Notes</b>                 | N.A.  |
| <b>Mounting tips</b>         | Not suitable for every application, please check  |



Always check live tool dimensions on the turret



DATE/DATE  
28/10/2019 05362000-R011

Subject to technical changes