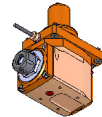
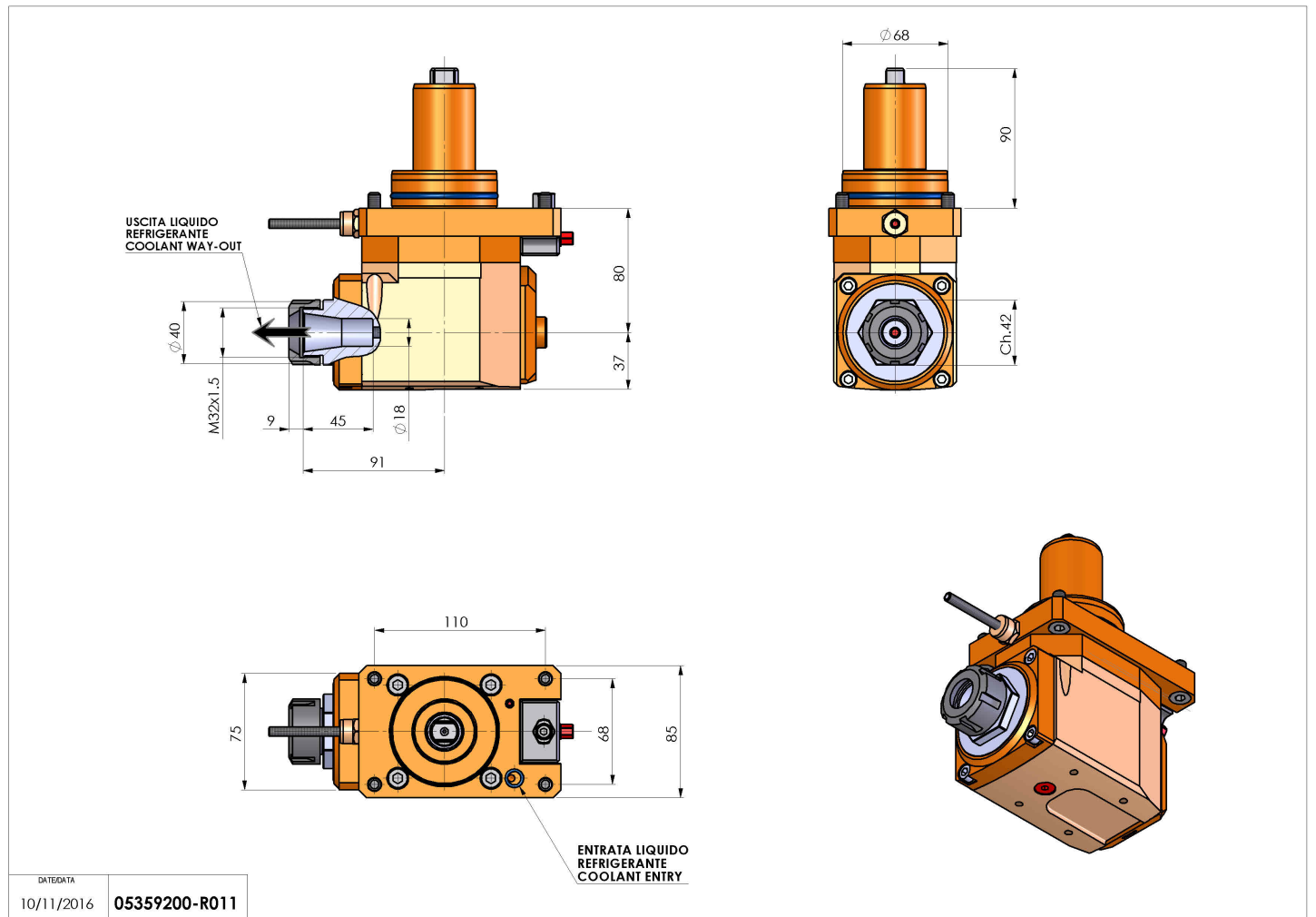


05359200 - LT-A D68 ER25 H1-37 H80 MZ

Type	LT-A Tool holder angle 90°
Mounting	CYLINDRICAL SHANK 68
Tool output	Collet nut ER 25
Coolant	External coolant
Direction of rotation	r1 ↻ r2 ↻
Max speed [rpm]	6000
Max torque [Nm]	80
Ratio	1:1
H [mm]	100
H1 [mm]	37
Accessories	N.A.
Notes	N.A.
Mounting tips	Not suitable for every application, please check



Always check live tool dimensions on the turret



Subject to technical changes