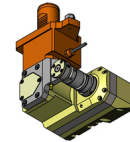


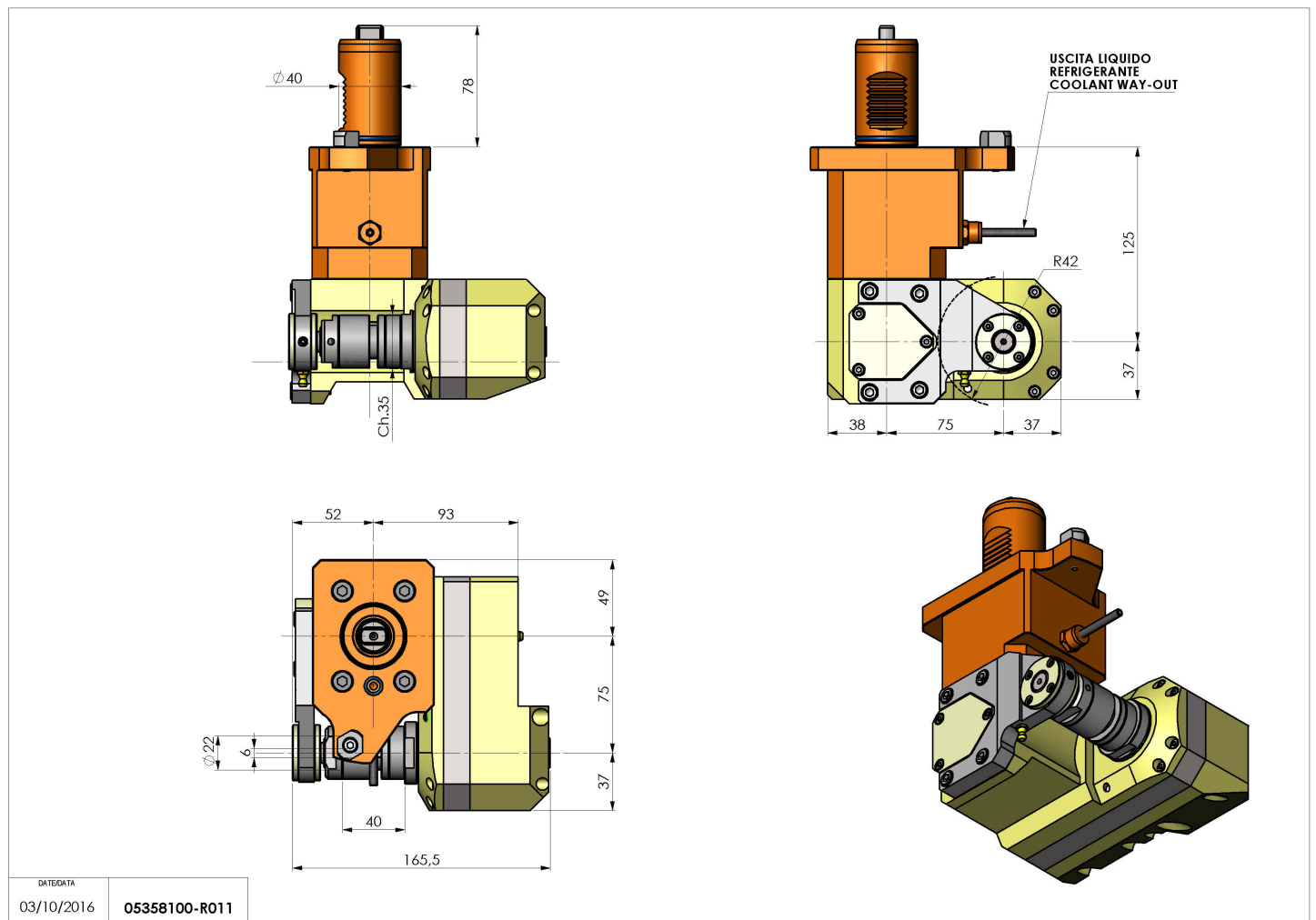
05358100 - LT-SAW VDI40 2,5:1 H125

Type	LT-SAW Tool holder saw
Mounting	VDI 40
Tool output	Shank kit Ø16-Ø22-Ø27
Coolant	External coolant
Max speed [rpm]	6000
Max torque [Nm]	60
Ratio	2,5:1
H [mm]	125
Accessories	N.A.
Notes	N.A.
Mounting tips	Not suitable for every application, please check



ATTENZIONE: VERIFICARE L'ORIENTAMENTO DELLA DENTATURA VDI

Always check live tool dimensions on the turret



DATE/DATE	03/10/2016	05358100-R011
-----------	------------	---------------

Subject to technical changes