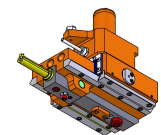


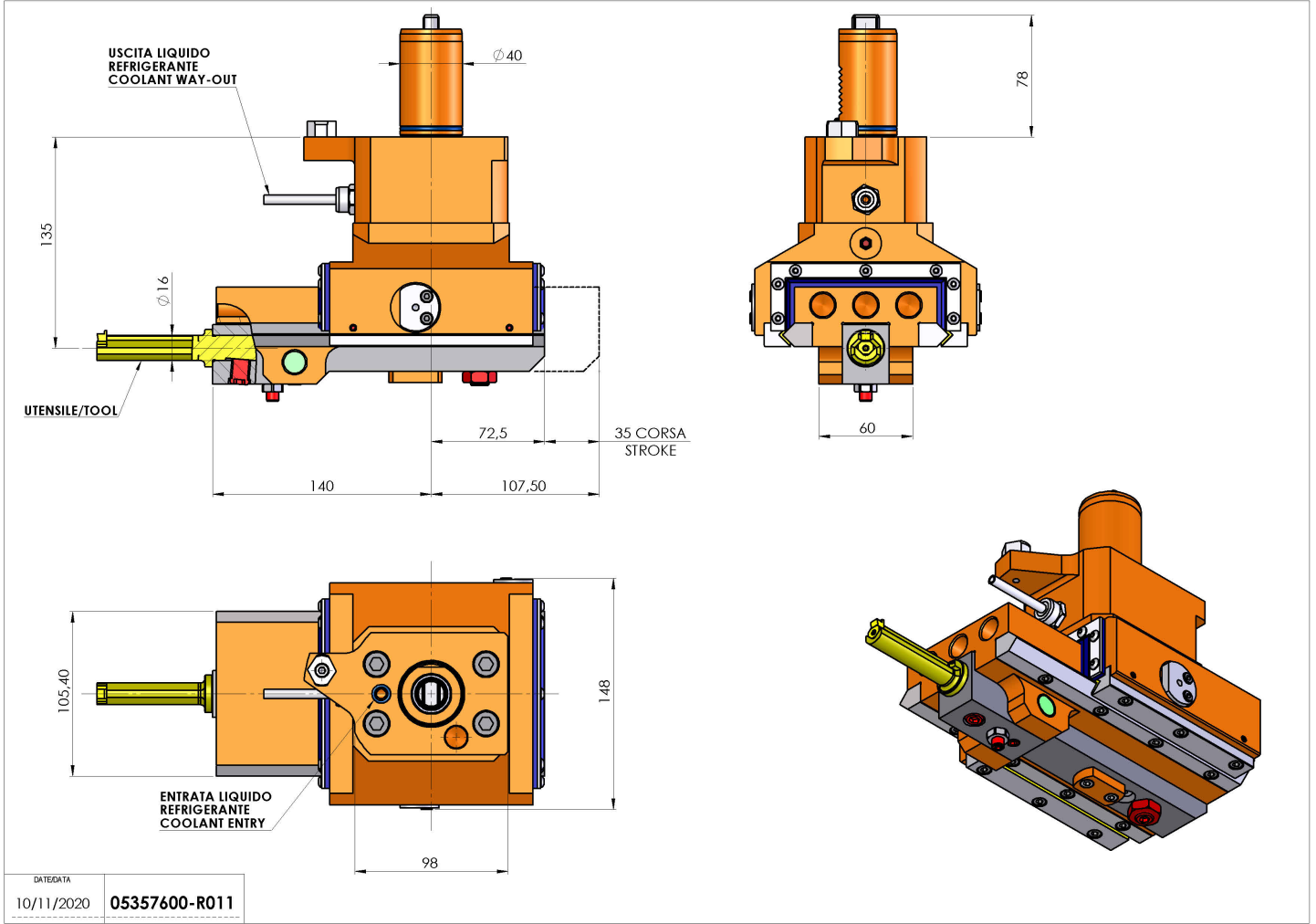
05357600 - LT-A ST65 VDI40 C16 H135

Type	LT-A ST Slotting tool 90°
Mounting	VDI 40
Tool output	Tool diameter 16
Coolant	External coolant
Max speed [rpm]	700
Max torque [Nm]	17.5
Ratio	1:1
Y axis adjustment	NO
Feed pushing [N]	1000
Stroke [mm]	65
Work stroke [mm]	60
H [mm]	135
Accessories	N.A.
Notes	N.A.
Mounting tips	Not suitable for every application, please check



ATTENZIONE: VERIFICARE L'ORIENTAMENTO DELLA DENTATURA VDI

Always check live tool dimensions on the turret



Subject to technical changes