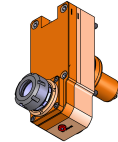
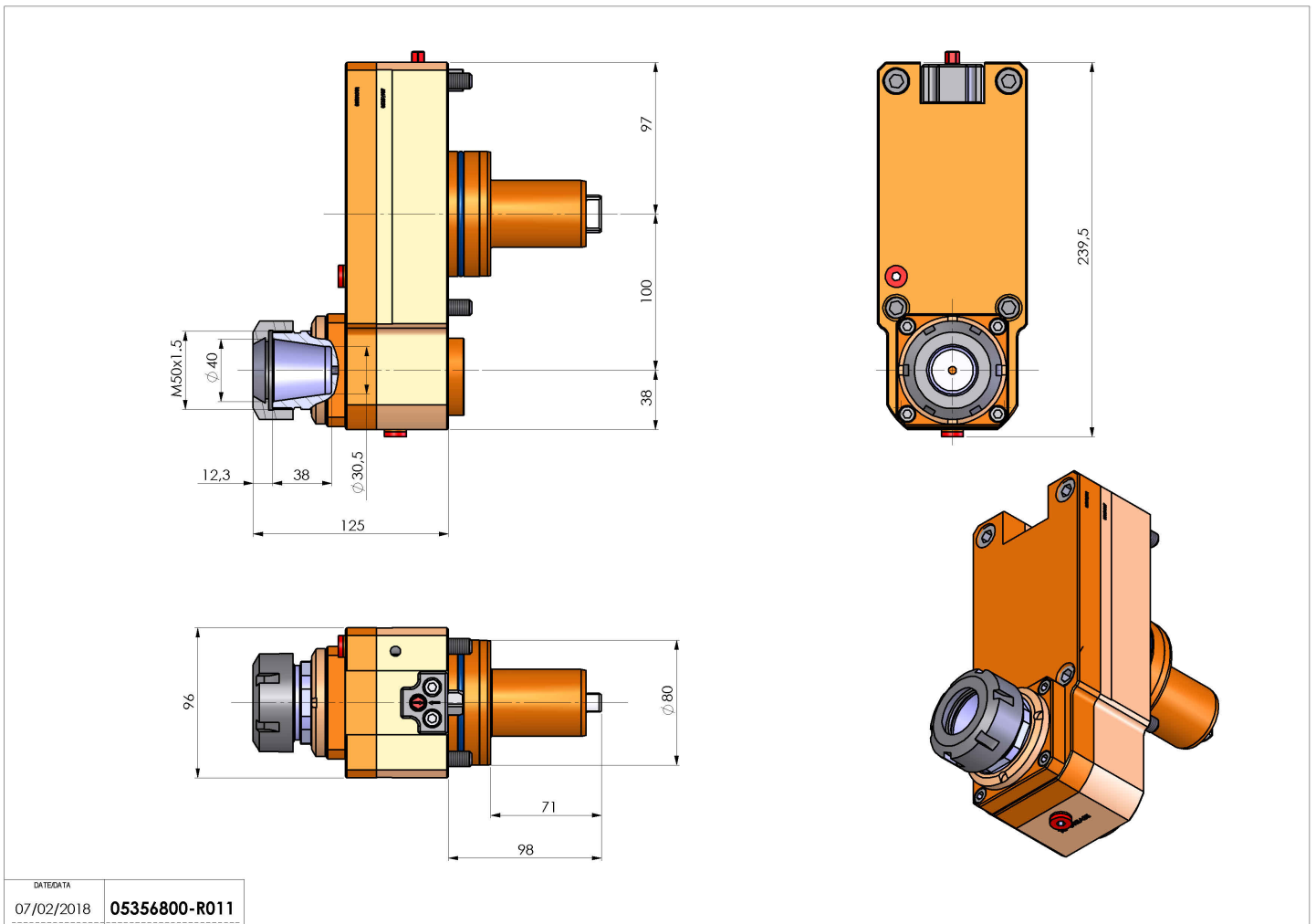


05356800 - LT-S D80 ER40 OFS100 RF H125

Type	LT-S OFS Tool holder straight offset
Mounting	CYLINDRICAL SHANK 80
Tool output	Collet nut ER 40
Coolant	Internal coolant
Offset [mm]	100
Direction of rotation	r1 r2
Max speed [rpm]	6000
Max torque [Nm]	80
Ratio	1:1
H [mm]	125
Accessories	N.A.
Notes	N.A.
Mounting tips	Not suitable for every application, please check



Always check live tool dimensions on the turret



DATE/DATA	
07/02/2018	05356800-R011

Subject to technical changes